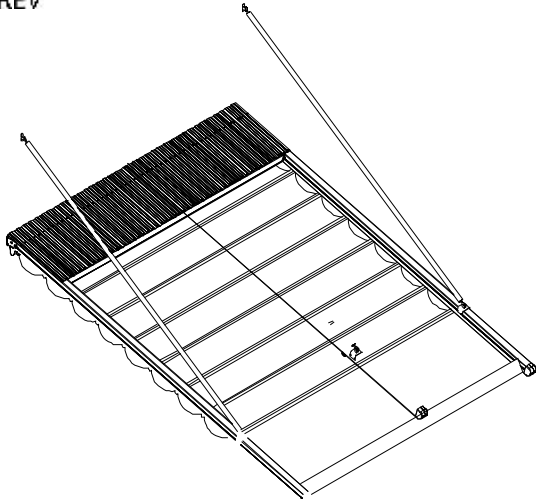




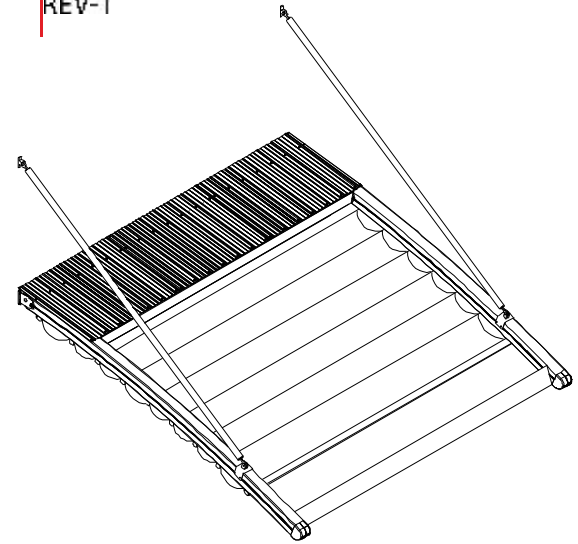
“four Seasons Outdoor Living”

www.haseldisticaret.com

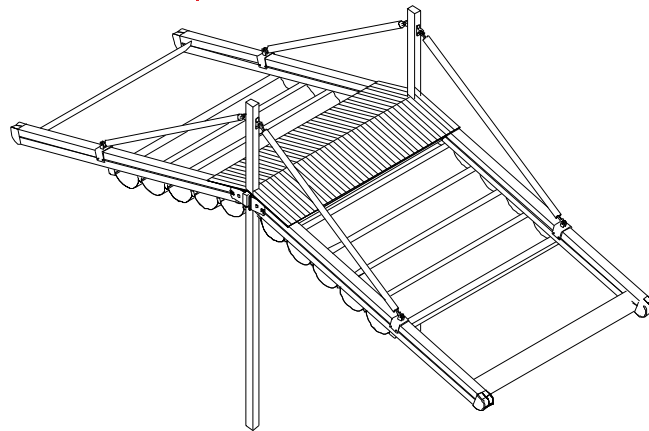
REV



REV-1

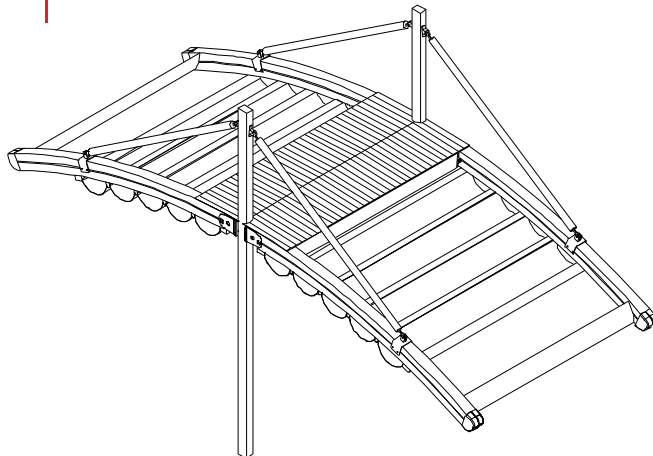


POLYREV

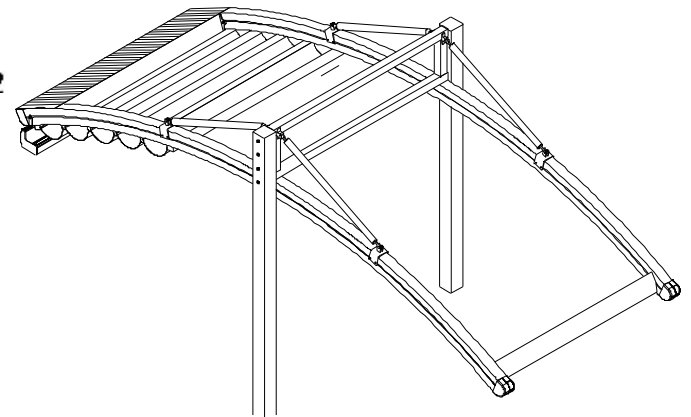


135 Series

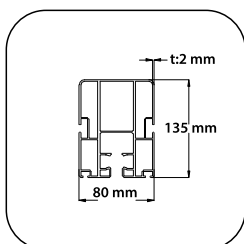
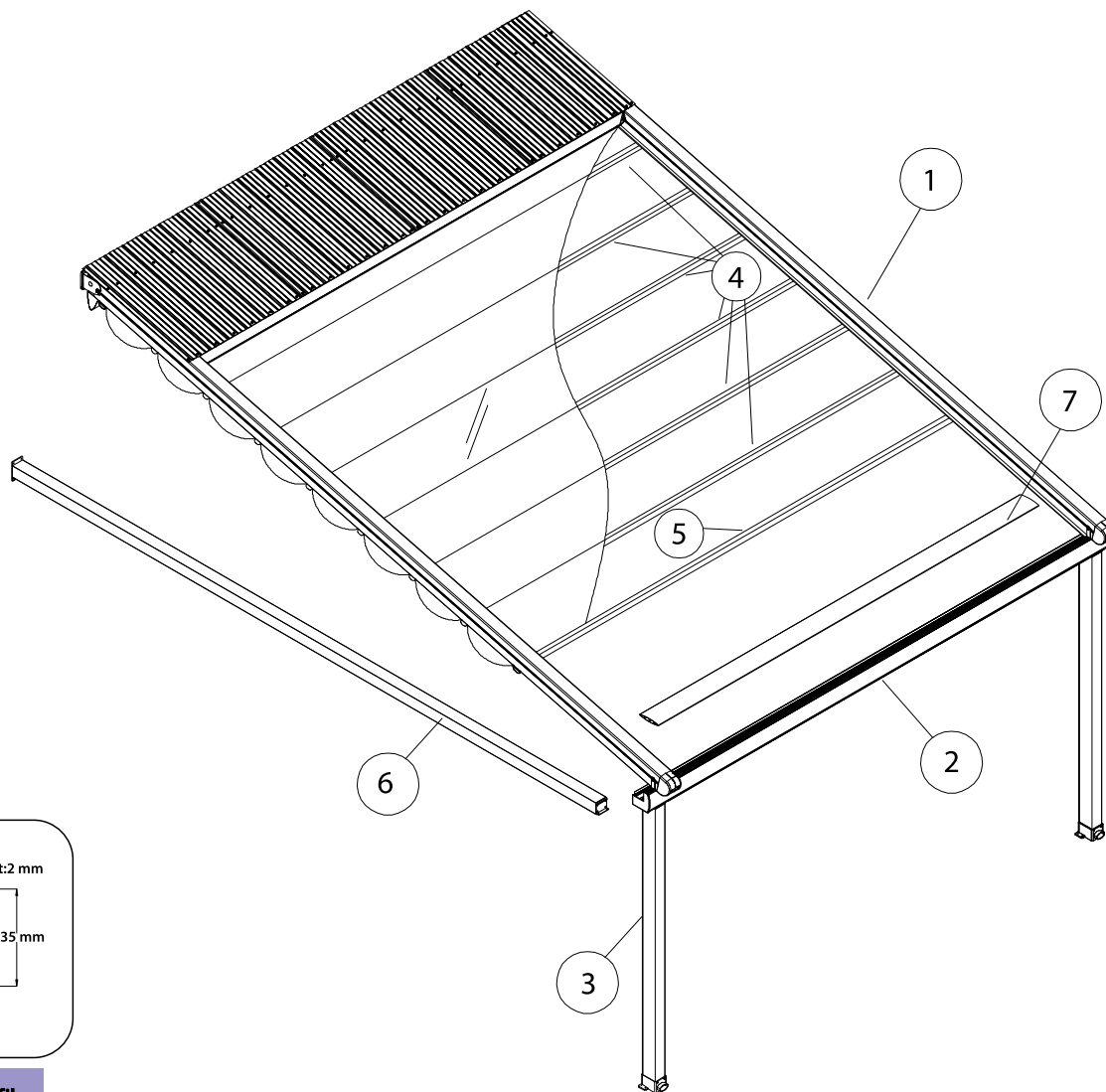
POLYREV-1



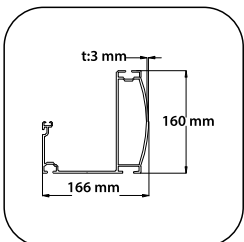
POLYREV-2



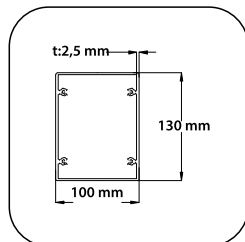
index		
	Line 135	3-6
	Flex 135	7-10
	Bend 135	11-14
	Polyline 135	15-18
	Polyflex 135	19-22
	Rev 135	23-25
	Rev/1 135	26-30
	Polyrev 135	31-36
	Polyrev/1 135	37-38
	Polyrev/2 135	39-42



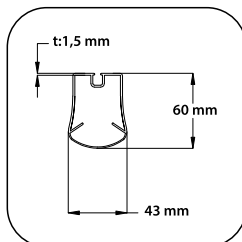
1- Rafter Profile



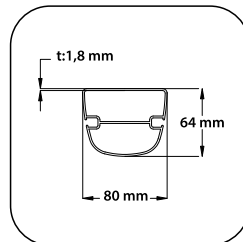
2- Gutter Profile



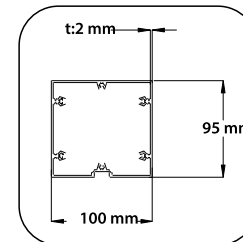
3- Front Column Profile



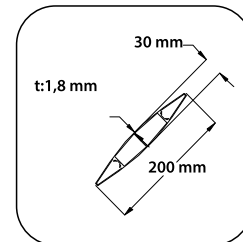
4- Fabric Support Profile



5- Puller Profile



6- Side Rafter Profile



7- Aerofil Louvre Profile

REMOTE CONTROLLED SYSTEM (WITHOUT LIGHTING)

UZAKTAN KUMANDALI SİSTEM (İŞİKSİZ)

WIDTH / CEPHE (cm)

EXTENSION (cm)	1 MODULE			2 MODULES					3 MODULES				EXTRA RAFTER (pc)
	300	400	450	500	600	700	800	900	1000	1100	1200	1300	
	300	2.909 €	3.224 €	3.382 €	4.114 €	4.301 €	4.608 €	4.917 €	5.233 €	6.040 €	6.408 €	6.714 €	
400	3.272 €	3.646 €	3.829 €	4.695 €	4.926 €	5.291 €	5.661 €	6.033 €	6.991 €	7.430 €	7.803 €	8.071 €	658 €
500	3.635 €	4.067 €	4.280 €	5.293 €	5.552 €	5.975 €	6.403 €	6.833 €	7.941 €	8.451 €	8.892 €	9.196 €	719 €
600	3.998 €	4.489 €	4.731 €	5.882 €	6.177 €	6.658 €	7.146 €	7.633 €	8.893 €	9.472 €	9.981 €	10.320 €	778 €
700	4.360 €	4.911 €	5.182 €	6.471 €	6.801 €	7.341 €	7.888 €	8.433 €	9.844 €	10.494 €	11.070 €	11.444 €	840 €

REMOTE CONTROLLED SYSTEM WITH HIGH POWER LED LIGHTING

UZAKTAN KUMANDALI SİSTEM (İŞIKLI)

WIDTH / CEPHE (cm)

EXTENSION (cm)	1 MODULE			2 MODULES					3 MODULES				EXTRA RAFTER (pc)
	300	400	450	500	600	700	800	900	1000	1100	1200	1300	
	300	3.446 €	3.806 €	3.984 €	4.831 €	5.048 €	5.398 €	5.751 €	6.108 €	7.047 €	7.466 €	7.800 €	
400	3.914 €	4.347 €	4.559 €	5.551 €	5.823 €	6.246 €	6.674 €	7.103 €	8.209 €	8.717 €	9.128 €	9.463 €	658 €
500	4.381 €	4.886 €	5.135 €	6.286 €	6.596 €	7.092 €	7.595 €	8.097 €	9.371 €	9.969 €	10.456 €	10.845 €	719 €
600	4.876 €	5.456 €	5.742 €	7.042 €	7.398 €	7.968 €	8.545 €	9.119 €	10.562 €	11.247 €	11.813 €	12.254 €	778 €
700	5.341 €	5.997 €	6.319 €	7.769 €	8.171 €	8.814 €	9.467 €	10.113 €	11.724 €	12.498 €	13.141 €	13.635 €	840 €

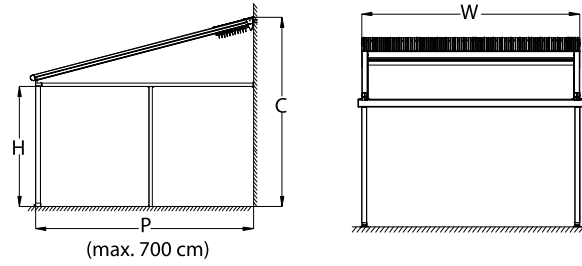
OPTIONAL	300	400	450	500	600	700	800	900	1000	1100	1200	1300	
	AEROFIL LOUVRE (LINE)	94 €	117 €	128 €	128 €	188 €	188 €	211 €	233 €	256 €	316 €	350 €	350 €
	STEEL BEAM 60x120x3 mm	135 €	180 €	203 €	225 €	270 €	315 €	360 €	405 €	450 €	495 €	540 €	585 €
	STEEL CONST.WITH COLUMNS	1.100 €	1.200 €	1.250 €	1.300 €	1.400 €	1.500 €	2.000 €	2.100 €	2.200 €	2.300 €	2.400 €	2.500 €

STEEL CONST. EXTRA COLUMN	SIDE RAFTER /mt	SIDE RAFTER SUPPORT COLUMN 3,00 mt	SIDE RAFTER SUPPORT COLUMN 4,50 mt	EXTRA FRONT COLUMN 3,00 mt	EXTRA FRONT COLUMN 4,50 mt	DIMMER (REMOTE CONTROL)
400 €	35 €	137 €	190 €	153 €	206 €	670 €

* Prices are based on ex-works.

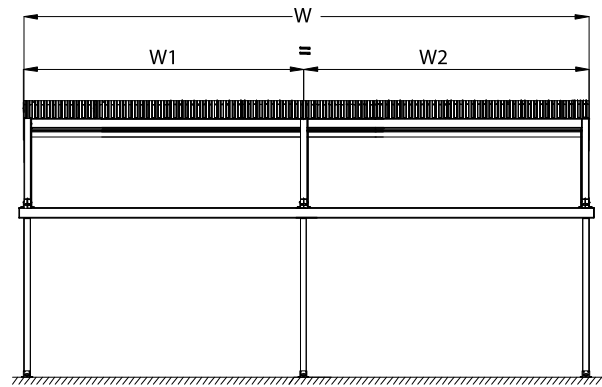
* The standart production color is ON617 & OGN35.

* Extra charge for other colors shall be calculated as %6 based on system price without lighting + optional profiles .



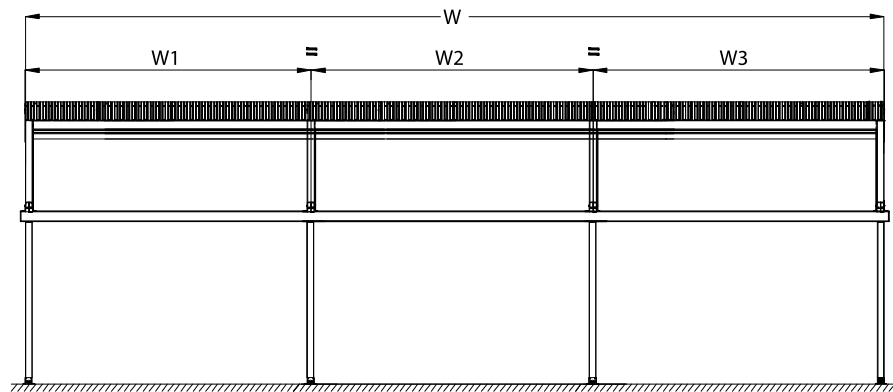
One Module

135 cm > 450 cm



Two Modules

450 cm > 900 cm



Three Modules

900 cm > 1300 cm

Order Name / No :

Order Date :

Company Name :

Quantity :

DIMENSIONS

W - Total Width cm

P - Projection cm

C - Wall / Back Height cm

H - Front / Post Height cm

Total Number of Post required (Maximum span between posts with gutter profile is 600 cm)

If modules are multiple and each module is in different width, please provide details (max. width for single modules is 450 cm, double modules 900 cm, triple modules 1300 cm)

W1..... cm

W2..... cm

W3..... cm

POWDERCOAT COLORS

Standart Colors

Anthracite ON617

Anthracite OGN35

Ral Colors

RAL 9005

RAL 9016

RAL 1013

RAL 9006

RAL 7016

Other RAL.....

Exclusive Colors

Anthracite ON611

RAL 8019 ST

RAL 9010 ST

RAL 1013 ST

RAL 9006 ST

PVC BLACKOUT FABRIC

Basic

prg 121 / White

prg 111 / Cream

Exclusive

prg 221 / White 3D

prg 211 / Cream 3D

prg 241 / Grey 3D

Other.....

OPTIONALS

Lighting ON-OFF System (High Power LED)

Lighting Dimmer System

Aerofoil Louvre (Line).....pc

Side Raftercm
Quantity.....pc

Support Post of Side Raftercm
Quantity.....pc

Additional Railpc

Supporting Steel Structure With Post

Wall Installation Steel Beam

Additional Post of Supporting Steel Structurepc

Side Overhang Past Rafter (max. 100 cm per side) Type..... (I / II / III / IV / V / VI)
Left Overhangcm. Right Overhangcm.

Storm Channel for Joining Systems & Double Rafter Wall Bracket Kit (for multiple systems)

INSTALLATION BRACKET

Wall Bracket

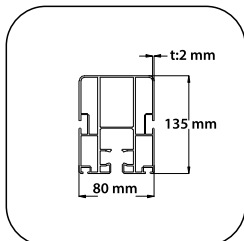
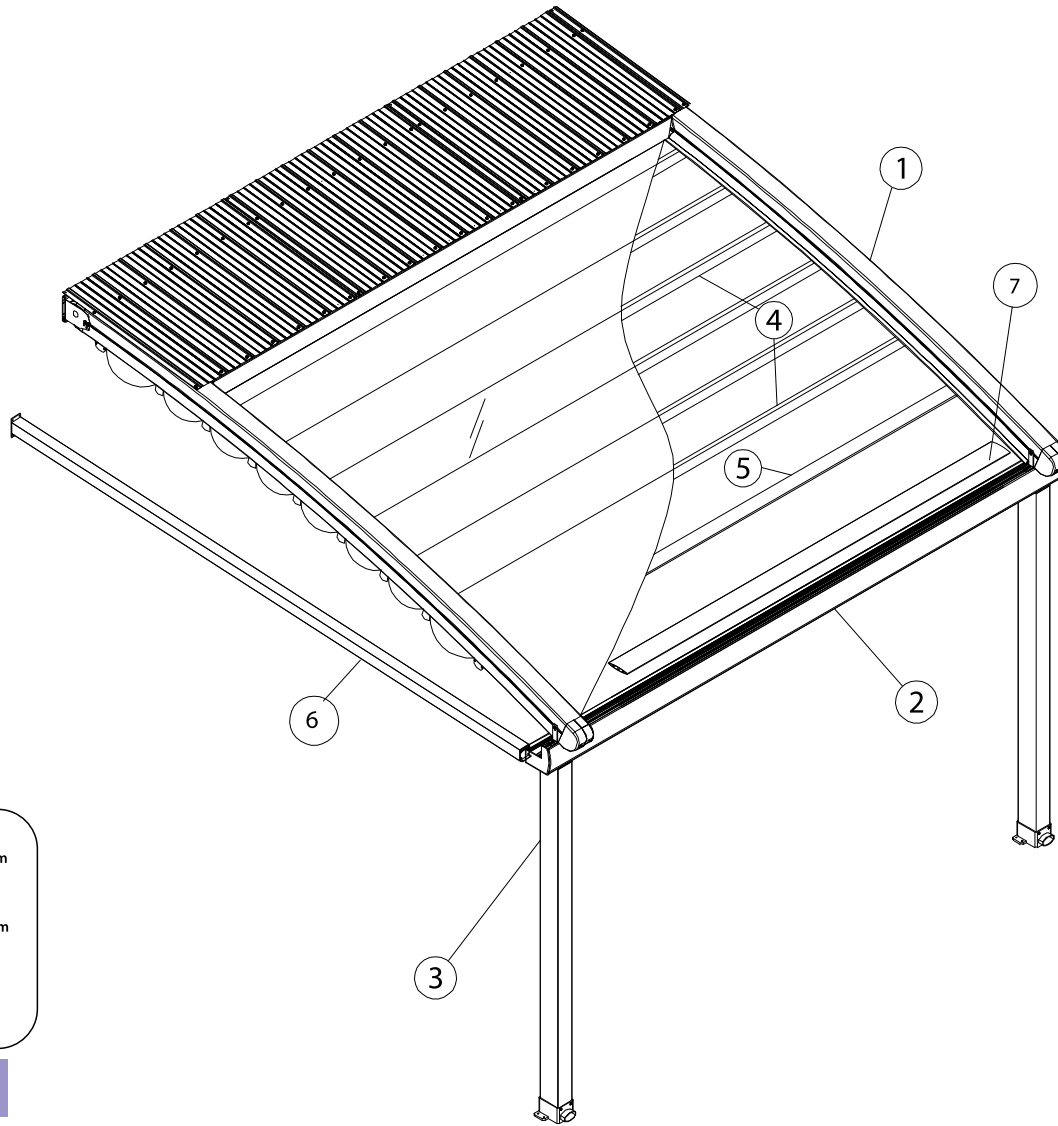
Ceiling Bracket

PACKAGING REQUIRMENTS

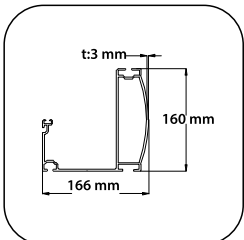
Only Bubble Wrap (Standart Packing) Bubble Wrap & Hard Cardboard**

ADDITIONAL NOTES & DRAWINGS ATTACHED

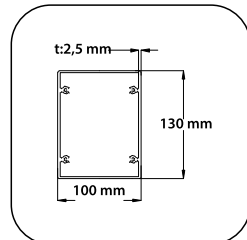
*** Extra cost charge



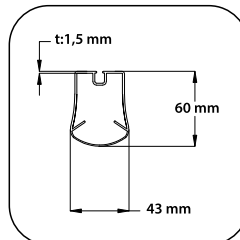
1- Rafter Profile



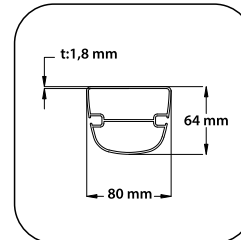
2- Gutter Profile



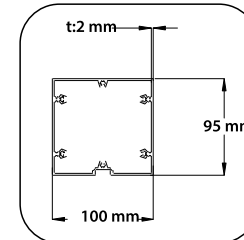
3- Front Column Profile



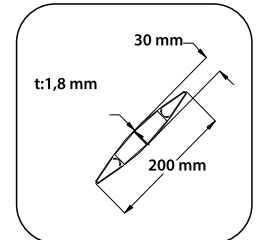
4- Fabric Support Profile



5- Puller Profile



6- Side Rafter Profile



7- Aerofil Louvre Profile

REMOTE CONTROLLED SYSTEM (WITHOUT LIGHTING)**UZAKTAN KUMANDALI SİSTEM (IŞIKSIZ)****WIDTH / CEPHE (cm)**

EXTENSION (cm)	1 MODULE			2 MODULES					3 MODULES				EXTRA RAFTER (pc)
	300	400	450	500	600	700	800	900	1000	1100	1200	1300	
	300	3.933 €	4.273 €	4.441 €	5.401 €	5.600 €	5.933 €	6.269 €	6.609 €	7.910 €	8.313 €	8.649 €	
400	4.381 €	4.784 €	4.983 €	6.117 €	6.357 €	6.753 €	7.151 €	7.553 €	9.044 €	9.521 €	9.928 €	10.218 €	833 €
500	4.828 €	5.295 €	5.524 €	6.834 €	7.115 €	7.572 €	8.035 €	8.499 €	10.178 €	10.730 €	11.210 €	11.538 €	913 €
600	5.275 €	5.806 €	6.066 €	7.551 €	7.872 €	8.391 €	8.918 €	9.443 €	11.312 €	11.939 €	12.490 €	12.858 €	992 €
700	5.722 €	6.317 €	6.608 €	8.267 €	8.630 €	9.211 €	9.802 €	10.389 €	12.446 €	13.147 €	13.770 €	14.178 €	1072 €

REMOTE CONTROLLED SYSTEM WITH HIGH POWER LED LIGHTING**UZAKTAN KUMANDALI SİSTEM (IŞIKLI)****WIDTH / CEPHE (cm)**

EXTENSION (cm)	1 MODULE			2 MODULES					3 MODULES				EXTRA RAFTER (pc)
	300	400	450	500	600	700	800	900	1000	1100	1200	1300	
	300	4.470 €	4.855 €	5.043 €	6.118 €	6.348 €	6.723 €	7.102 €	7.484 €	8.918 €	9.370 €	9.735 €	
400	5.023 €	5.485 €	5.712 €	6.972 €	7.255 €	7.708 €	8.165 €	8.624 €	10.262 €	10.809 €	11.253 €	11.610 €	833 €
500	5.574 €	6.115 €	6.379 €	7.827 €	8.160 €	8.690 €	9.227 €	9.763 €	11.608 €	12.248 €	12.774 €	13.187 €	913 €
600	6.154 €	6.773 €	7.078 €	8.711 €	9.093 €	9.701 €	10.318 €	10.929 €	12.981 €	13.713 €	14.322 €	14.792 €	992 €
700	6.703 €	7.402 €	7.745 €	9.565 €	9.999 €	10.684 €	11.380 €	12.069 €	14.326 €	15.151 €	15.841 €	16.369 €	1072 €

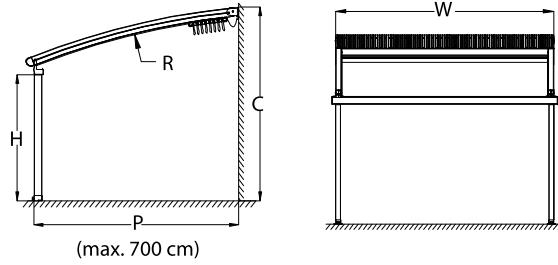
OPTIONAL	300	400	450	500	600	700	800	900	1000	1100	1200	1300	
	AEROFIL LOUVRE (LINE)	94 €	117 €	128 €	128 €	188 €	188 €	211 €	233 €	256 €	316 €	350 €	350 €
	STEEL BEAM 60x120x3 mm	135 €	180 €	203 €	225 €	270 €	315 €	360 €	405 €	450 €	495 €	540 €	585 €
STEEL CONST.WITH COLUMNS	1.100 €	1.200 €	1.250 €	1.300 €	1.400 €	1.500 €	2.000 €	2.100 €	2.200 €	2.300 €	2.400 €	2.500 €	

STEEL CONSTR. EXTRA COLUMN	SIDE RAFTER /mt	SIDE RAFTER SUPPORT COLUMN 3,00 mt	SIDE RAFTER SUPPORT COLUMN 4,50 mt	EXTRA FRONT COLUMN 3,00 mt	EXTRA FRONT COLUMN 4,50 mt	DIMMER (REMOTE CONTROL)
400 €	35 €	137 €	190 €	153 €	206 €	670 €

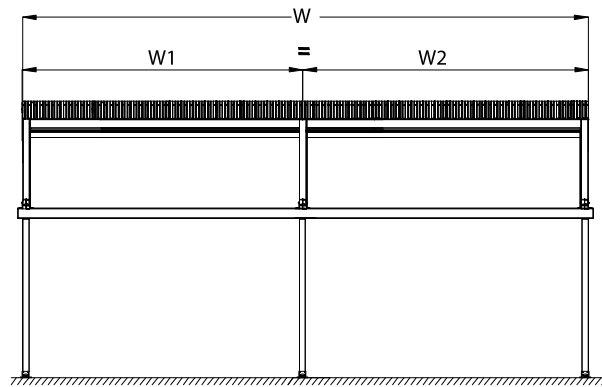
* Prices are based on ex-works.

* The standart production color is ON617 & OGN35.

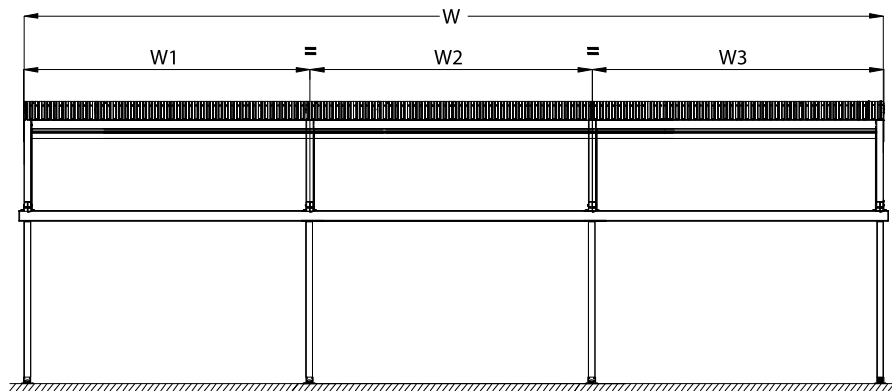
* Extra charge for other colors shall be calculated as %6 based on system price without lighting + optional profiles .



One Module 135 cm > 450 cm



Two Modules 450 cm > 900 cm



Three Modules 900 cm > 1300 cm

Order Name / No :

Order Date :

Company Name :

Quantity :

DIMENSIONS

W - Total Width cm
 P - Projection cm
 C - Wall / Back Height cm
 H - Front / Post Height cm
 Total Number of Post required (Maximum span between posts with gutter profile is 600 cm)

If modules are multiple and each module is in different width, please provide details (max. width for single modules is 450 cm, double modules 900 cm, triple modules 1300 cm)

W1..... cm

W2..... cm

W3..... cm

POWDERCOAT COLORS

Standart Colors

Ral Colors

Exclusive Colors

Anthracite ON617

RAL 9005

Anthracite ON611

Anthracite OGN35

RAL 9016

RAL 8019 ST

RAL 1013

RAL 9010 ST

RAL 9006

RAL 1013 ST

RAL 7016

RAL 9006 ST

Other RAL.....

PVC BLACKOUT FABRIC

Basic

Exclusive

prg 121 / White

prg 221 / White 3D

Other.....

prg 111 / Cream

prg 211 / Cream 3D

prg 241 / Grey 3D

OPTIONALS

Lighting ON-OFF System (High Power LED)

Lighting Dimmer System

Aerofoil Louvre (Line).....pc

Side Raftercm
 Quantity.....pc

Support Post of Side Raftercm
 Quantity.....pc

Additional Railpc

Supporting Steel Structure With Post

Wall Installation Steel Beam

Additional Post of Supporting Steel Structurepc

Side Overhang Past Rafter (max. 100 cm per side) Type..... (I / II / III / IV / V / VI)
 Left Overhangcm. Right Overhangcm.

Storm Channel for Joining Systems & Double Rafter Wall Bracket Kit (for multiple systems)

INSTALLATION BRACKET

Wall Bracket

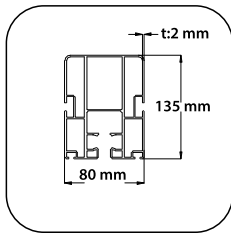
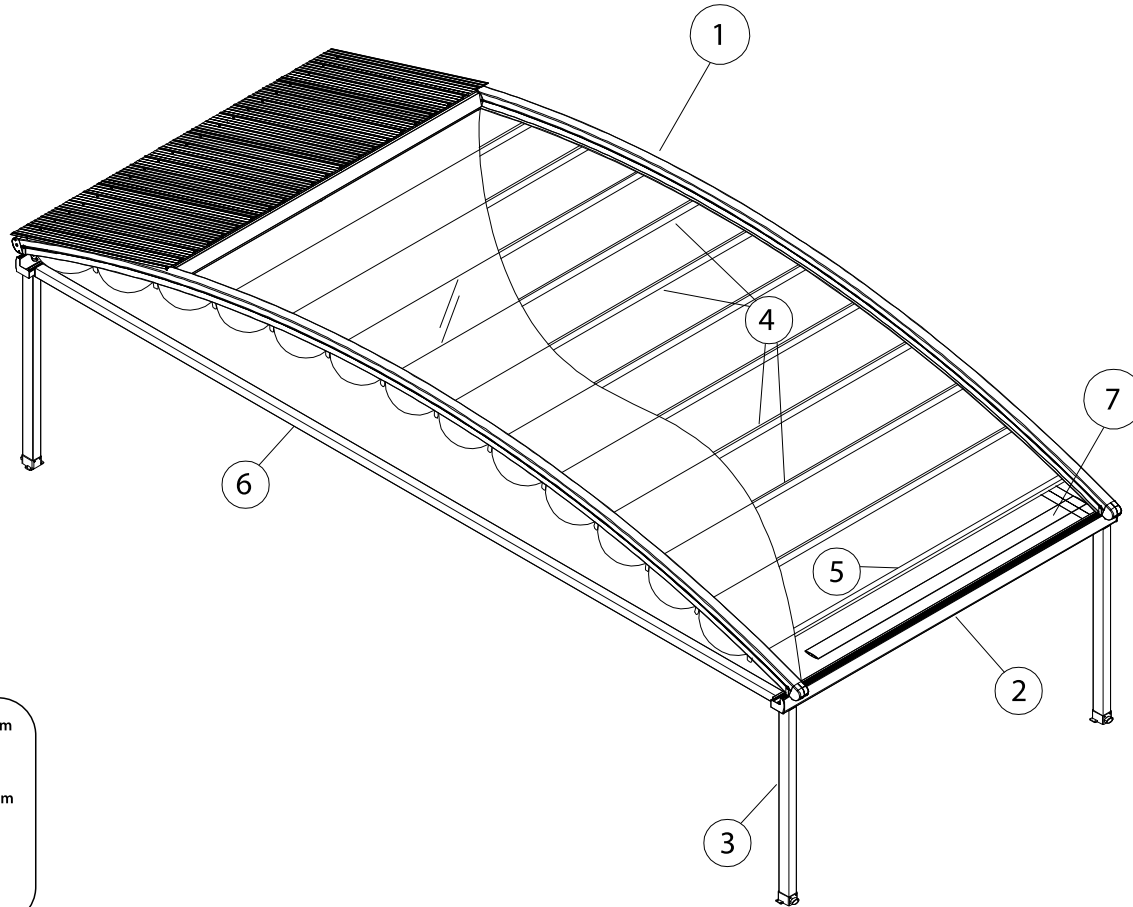
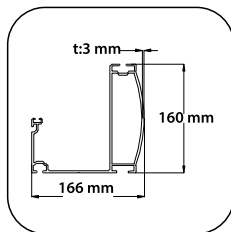
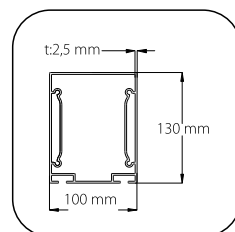
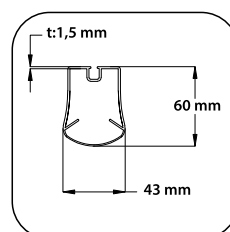
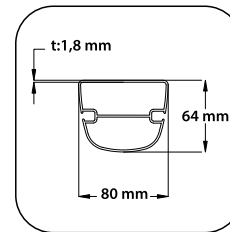
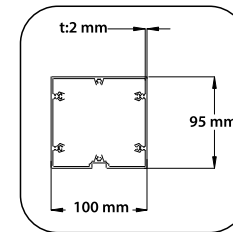
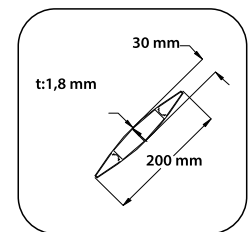
Ceiling Bracket

PACKAGING REQUIRMENTS

Only Bubble Wrap (Standart Packing) Bubble Wrap & Hard Cardboard**

ADDITIONAL NOTES & DRAWINGS ATTACHED

*** Extra cost charge


1- Rafter Profile

2- Gutter Profile

3- Front Column Profile

4- Fabric Support Profile

5- Puller Profile

6- Side Rafter Profile

7- Aerofil Louvre Profile

Order Name / No:

Order Date :

Company Name :

Quantity :

DIMENSIONS

W - Total Width cm
 P - Projection cm
 H - Front / Post Height cm
 Total Number of Post required (Maximum span between posts with gutter profile is 600 cm)

If modules are multiple and each module is in different width, please provide details (max. width for single modules is 400 cm, double modules 800 cm, triple modules 1200 cm, four modules 1300 cm)

W1..... cm
 W2..... cm
 W3..... cm
 W4..... cm

POWDERCOAT COLORS

<u>Standart Colors</u>	<u>Ral Colors</u>	<u>Exclusive Colors</u>
<input type="checkbox"/> Anthracite ON617	<input type="checkbox"/> RAL 9005	<input type="checkbox"/> Anthracite ON611
<input type="checkbox"/> Anthracite OGN35	<input type="checkbox"/> RAL 9016	<input type="checkbox"/> RAL 8019 ST
	<input type="checkbox"/> RAL 1013	<input type="checkbox"/> RAL 9010 ST
	<input type="checkbox"/> RAL 9006	<input type="checkbox"/> RAL 1013 ST
	<input type="checkbox"/> RAL 7016	<input type="checkbox"/> RAL 9006 ST
	<input type="checkbox"/> Other RAL.....	

PVC BLACKOUT FABRIC

<u>Basic</u>	<u>Exclusive</u>	
<input type="checkbox"/> prg 121 / White	<input type="checkbox"/> prg 221 / White 3D	<input type="checkbox"/> Other.....
<input type="checkbox"/> prg 111 / Cream	<input type="checkbox"/> prg 211 / Cream 3D	
	<input type="checkbox"/> prg 241 / Grey 3D	

OPTIONALS

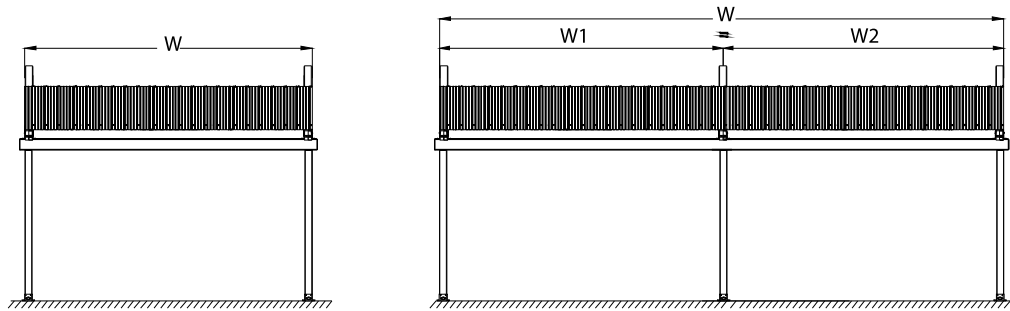
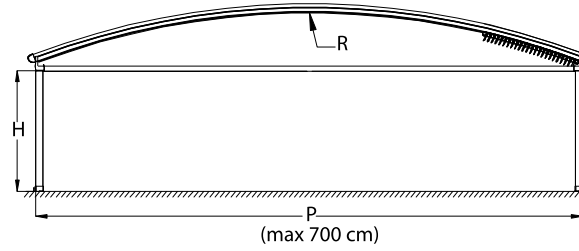
<input type="checkbox"/> Lighting ON-OFF System (High Power LED)	<input type="checkbox"/> Side Overhang Past Rafter (max. 100 cm per side) Type..... (I / II / III / IV / V / VI) Left Overhangcm. Right Overhangcm.
<input type="checkbox"/> Lighting Dimmer System	<input type="checkbox"/> Storm Channel for Joining Systems (for multiple systems)
<input type="checkbox"/> Aerofoil Louvre (Line).....pc	
<input type="checkbox"/> Side Raftercm Quantity.....pc	
<input type="checkbox"/> Support Post of Side Raftercm Quantity.....pc	
<input type="checkbox"/> Additional Railpc	

PACKAGING REQUIRMENTS

Only Bubble Wrap (Standart Packing) Bubble Wrap & Hard Cardboard**

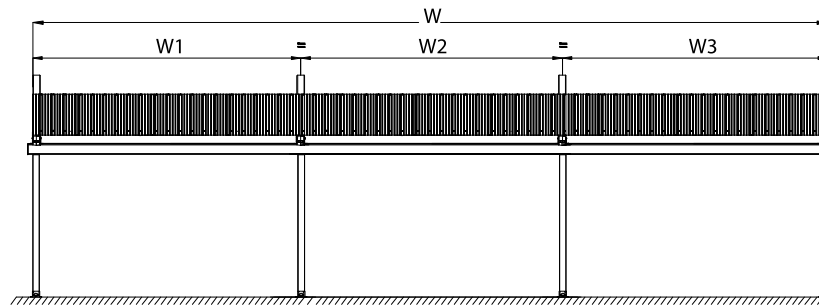
ADDITIONAL NOTES & DRAWINGS ATTACHED

*** Extra cost charge

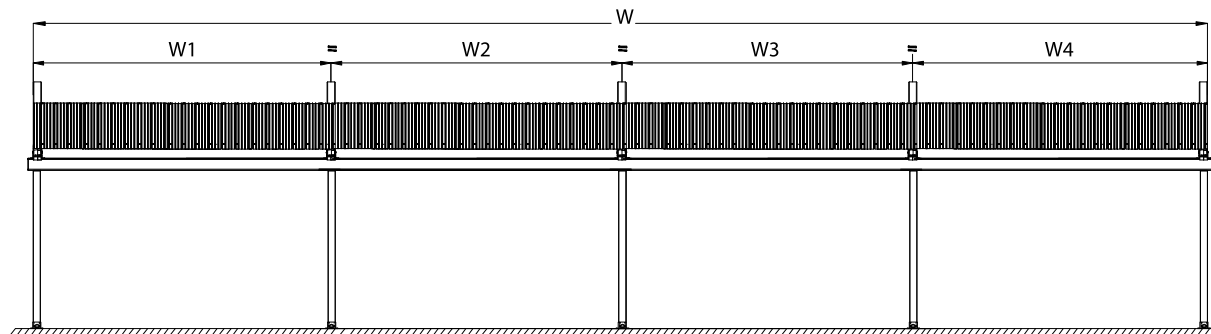


One Module 135 cm > 400 cm

Two Modules 400 cm > 800 cm



Three Modules 800 cm > 1200 cm



Four Modules 1200 cm > 1300 cm

REMOTE CONTROLLED SYSTEM (WITHOUT LIGHTING)

UZAKTAN KUMANDALI SİSTEM (IŞIKSIZ)

WIDTH / CEPHE (cm)

EXTENSION (cm)	1 MODULE		2 MODULES				3 MODULES				4 MODULES	EXTRA RAFTER (pc)
	300	400	500	600	700	800	900	1000	1100	1200	1300	
	300	4.569 €	4.999 €	6.315 €	6.589 €	7.009 €	7.434 €	9.007 €	9.353 €	9.852 €	10.257 €	
400	5.066 €	5.561 €	7.081 €	7.395 €	7.879 €	8.367 €	10.151 €	10.536 €	11.109 €	11.588 €	12.842 €	833 €
500	5.563 €	6.121 €	7.847 €	8.201 €	8.747 €	9.299 €	11.294 €	11.718 €	12.367 €	12.918 €	14.333 €	913 €
600	6.061 €	6.642 €	8.613 €	9.008 €	9.617 €	10.232 €	12.437 €	12.901 €	13.624 €	14.247 €	15.822 €	992 €
700	6.558 €	7.243 €	9.380 €	9.815 €	10.486 €	11.165 €	13.581 €	14.084 €	14.882 €	15.577 €	17.312 €	1072 €

REMOTE CONTROLLED SYSTEM WITH HIGH POWER LED LIGHTING

UZAKTAN KUMANDALI SİSTEM (IŞIKLI)

WIDTH / CEPHE (cm)

EXTENSION (cm)	1 MODULE		2 MODULES				3 MODULES				4 MODULES	EXTRA RAFTER (pc)
	300	400	500	600	700	800	900	1000	1100	1200	1300	
	300	5.106 €	5.581 €	7.032 €	7.336 €	7.800 €	8.267 €	9.882 €	10.361 €	10.910 €	11.343 €	
400	5.709 €	6.262 €	7.937 €	8.292 €	8.834 €	9.381 €	11.221 €	11.754 €	12.397 €	12.913 €	14.234 €	833 €
500	6.310 €	6.940 €	8.841 €	9.245 €	9.865 €	10.492 €	12.558 €	13.148 €	13.884 €	14.482 €	15.981 €	913 €
600	6.940 €	7.608 €	9.773 €	10.229 €	10.927 €	11.631 €	13.922 €	14.570 €	15.398 €	16.078 €	17.755 €	992 €
700	7.540 €	8.328 €	10.677 €	11.185 €	11.958 €	12.744 €	15.261 €	15.963 €	16.885 €	17.647 €	19.503 €	1072 €

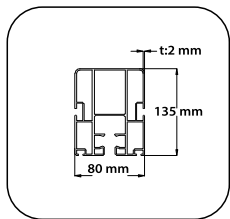
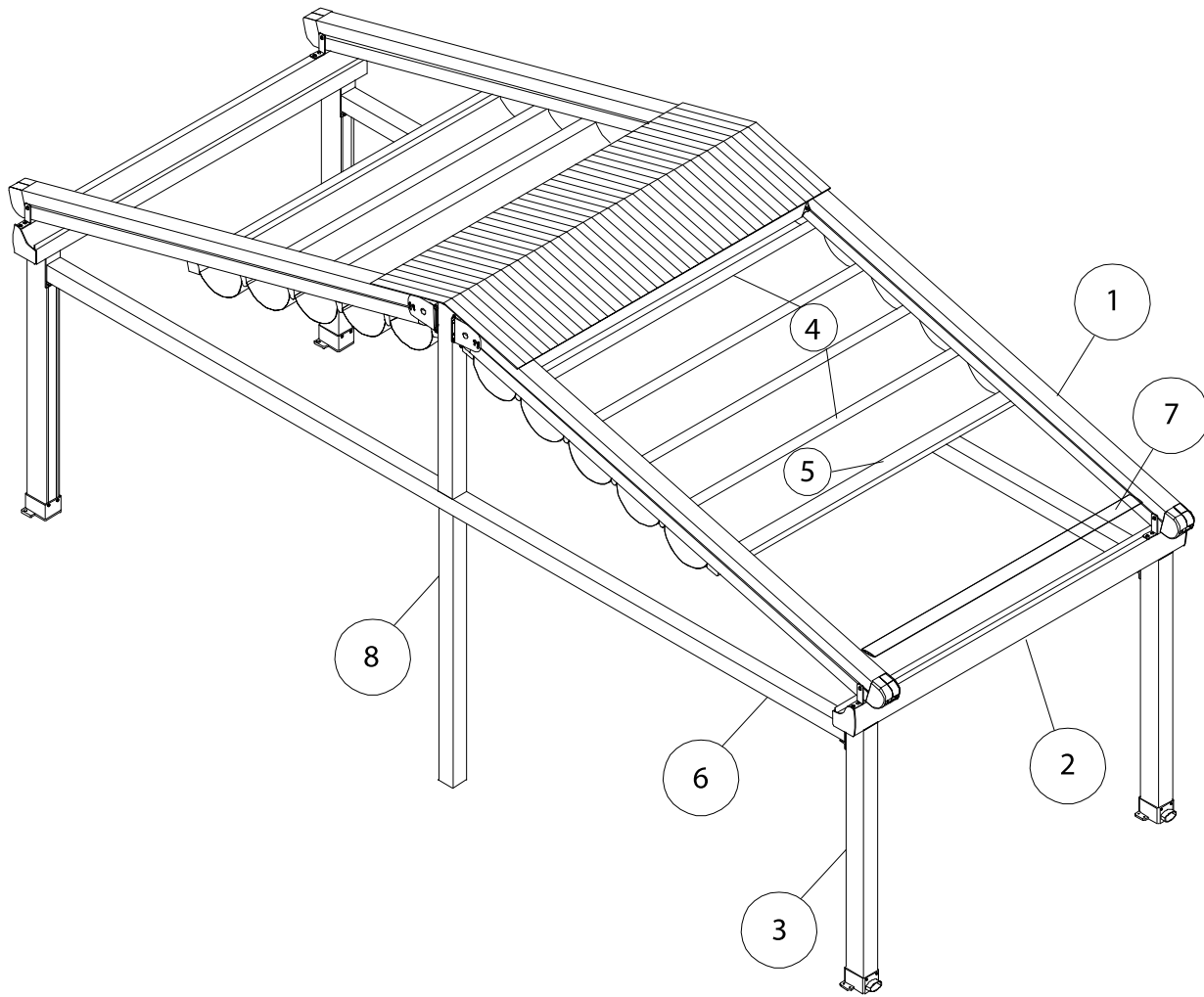
OPTIONAL	300	400	500	600	700	800	900	1000	1100	1200	1300
	AEROFIL LOUVRE (LINE)	94 €	117 €	128 €	188 €	188 €	211 €	233 €	256 €	316 €	350 €

SIDE RAFTER /mt	SIDE RAFTER SUPPORT COLUMN 3,00 mt	SIDE RAFTER SUPPORT COLUMN 4,50 mt	EXTRA FRONT COLUMN 3,00 mt	EXTRA FRONT COLUMN 4,50 mt	DIMMER (REMOTE CONTROL)
35 €	137 €	190 €	153 €	206 €	670 €

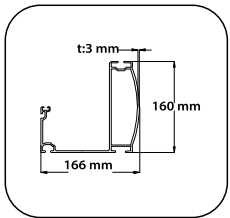
* Prices are based on ex-works.

* The standart production color is ON617 & OGN35.

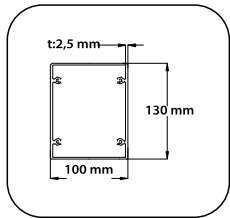
* Extra charge for other colors shall be calculated as %6 based on system price without lighting + optional profiles .



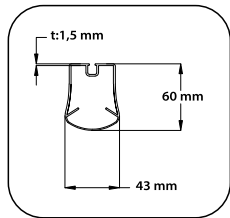
1- Rafter Profile



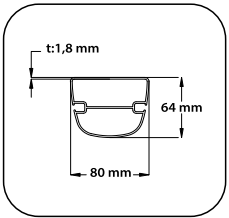
2- Gutter Profile



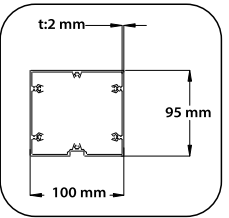
3- Front Column Profile



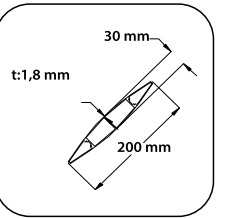
4- Fabric Support Profile



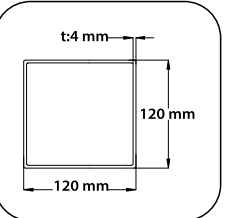
5- Puller Profile



6- Side Rafter Profile



7- Aerofil Louvre Profile



8- Hollow Section Steel Profile

REMOTE CONTROLLED SYSTEM (WITHOUT LIGHTING)

UZAKTAN KUMANDALI SİSTEM (İŞİKSİZ)

WIDTH / CEPHE (cm)

EXTENSION (cm)	1 MODULE			2 MODULES				3 MODULES				EXTRA RAFTER (pc)	
	300	400	450	500	600	700	800	900	1000	1100	1200		1300
	600	6.905 €	7.658 €	8.036 €	9.563 €	10.061 €	10.800 €	11.900 €	12.656 €	14.393 €	15.255 €		15.991 €
800	7.629 €	8.502 €	8.931 €	10.725 €	11.312 €	12.166 €	13.386 €	14.255 €	16.296 €	17.298 €	18.170 €	18.830 €	1.316 €
1000	8.355 €	9.345 €	9.833 €	11.920 €	12.563 €	13.533 €	14.870 €	15.855 €	18.197 €	19.340 €	20.347 €	21.080 €	1.438 €
1200	9.081 €	10.189 €	10.734 €	13.099 €	13.813 €	14.901 €	16.357 €	17.456 €	20.100 €	21.383 €	22.526 €	23.328 €	1.560 €
1400	9.805 €	11.033 €	11.636 €	14.277 €	15.062 €	16.267 €	17.841 €	19.056 €	22.002 €	23.427 €	24.703 €	25.576 €	1.680 €

REMOTE CONTROLLED SYSTEM WITH HIGH POWER LED LIGHTING

UZAKTAN KUMANDALI SİSTEM (İŞIKLI)

WIDTH / CEPHE (cm)

EXTENSION (cm)	1 MODULE			2 MODULES				3 MODULES				EXTRA RAFTER (pc)	
	300	400	450	500	600	700	800	900	1000	1100	1200		1300
	600	7.978 €	8.822 €	9.240 €	10.997 €	11.556 €	12.381 €	13.567 €	14.406 €	16.409 €	17.371 €		18.164 €
800	8.914 €	9.904 €	10.391 €	12.436 €	13.106 €	14.077 €	15.413 €	16.396 €	18.733 €	19.873 €	20.820 €	21.613 €	1.316 €
1000	9.848 €	10.983 €	11.543 €	13.907 €	14.651 €	15.769 €	17.255 €	18.383 €	21.056 €	22.376 €	23.476 €	24.377 €	1.438 €
1200	10.838 €	12.122 €	12.756 €	15.419 €	16.255 €	17.520 €	19.155 €	20.427 €	23.438 €	24.932 €	26.189 €	27.195 €	1.560 €
1400	11.768 €	13.204 €	13.911 €	16.872 €	17.802 €	19.213 €	20.998 €	22.416 €	25.762 €	27.435 €	28.845 €	29.957 €	1.680 €

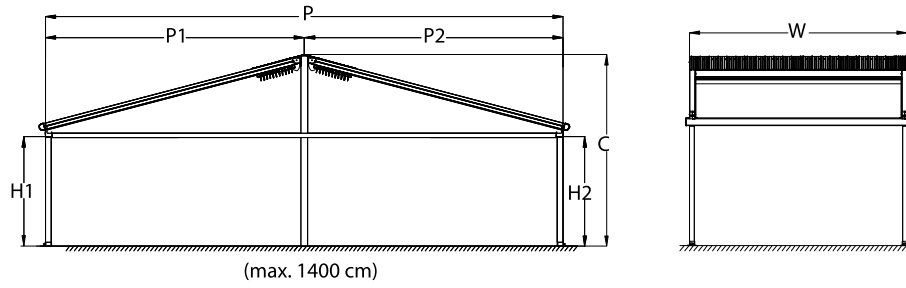
OPTIONAL	AEROFIL LOUVRE (LINE)											
	300	400	450	500	600	700	800	900	1000	1100	1200	1300
	94 €	117 €	128 €	128 €	188 €	188 €	211 €	233 €	256 €	316 €	350 €	350 €

STEEL CONSTR. EXTRA COLUMN	SIDE RAFTER /mt	SIDE RAFTER SUPPORT COLUMN 3,00 mt	SIDE RAFTER SUPPORT COLUMN 4,50 mt	EXTRA FRONT COLUMN 3,00 mt	EXTRA FRONT COLUMN 4,50 mt	DIMMER (REMOTE CONTROL)
400 €	35 €	137 €	190 €	153 €	206 €	1340 €

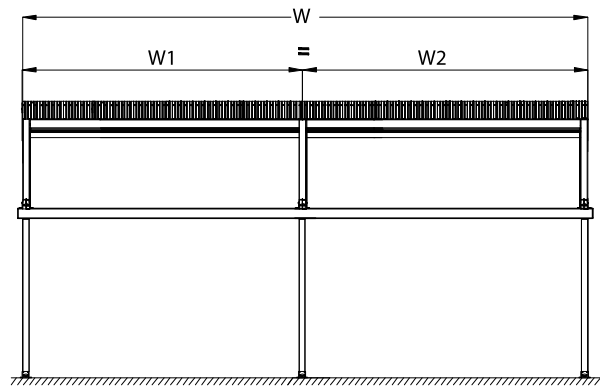
* Prices are based on ex-works.

* The standart production color is ON617 & OGN35.

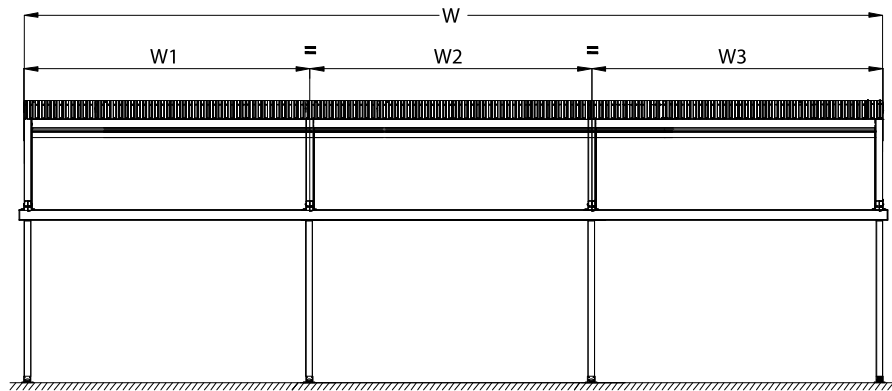
* Extra charge for other colors shall be calculated as %6 based on system price without lighting + optional profiles .



One Module 135 cm > 450 cm



Two Modules 450 cm > 900 cm



Three Modules 900 cm > 1300 cm

Order Name / No :

Order Date :

Company Name :

Quantity :

DIMENSIONS

W - Total Width cm
 P1 - Projection 1 cm
 P2 - Projection 2 cm
 C - Top Height cm
 H1 - Front / Post Height1 cm
 H2 - Front / Post Height2 cm

If modules are multiple and each module is in different width, please provide details (max. width for single modules is 450 cm, double modules 900 cm, triple modules 1300 cm)

W1..... cm
 W2..... cm
 W3..... cm

Total Number of Post required (Maximum span between posts with gutter profile is 600 cm)

POWDERCOAT COLORS

Standart Colors

Ral Colors

Exclusive Colors

- | | | |
|---|---|---|
| <input type="checkbox"/> Anthracite ON617 | <input type="checkbox"/> RAL 9005 | <input type="checkbox"/> Anthracite ON611 |
| <input type="checkbox"/> Anthracite OGN35 | <input type="checkbox"/> RAL 9016 | <input type="checkbox"/> RAL 8019 ST |
| | <input type="checkbox"/> RAL 1013 | <input type="checkbox"/> RAL 9010 ST |
| | <input type="checkbox"/> RAL 9006 | <input type="checkbox"/> RAL 1013 ST |
| | <input type="checkbox"/> RAL 7016 | <input type="checkbox"/> RAL 9006 ST |
| | <input type="checkbox"/> Other RAL..... | |

PVC BLACKOUT FABRIC

Basic

Exclusive

- | | | |
|--|---|-------------------------------------|
| <input type="checkbox"/> prg 121 / White | <input type="checkbox"/> prg 221 / White 3D | <input type="checkbox"/> Other..... |
| <input type="checkbox"/> prg 111 / Cream | <input type="checkbox"/> prg 211 / Cream 3D | |
| | <input type="checkbox"/> prg 241 / Grey 3D | |

OPTIONALS

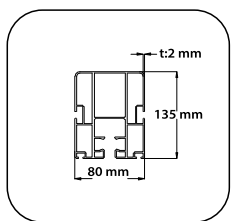
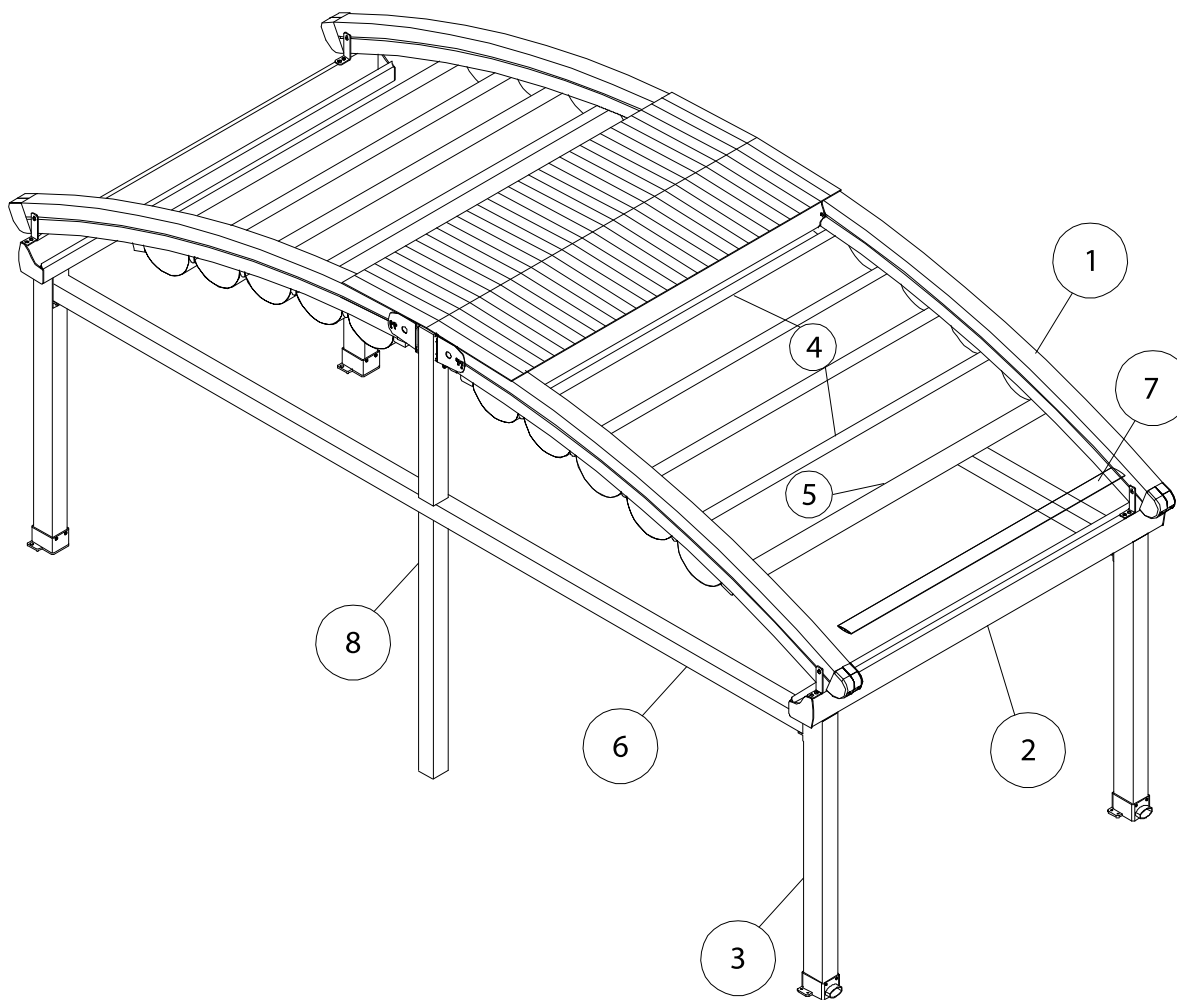
- | | |
|---|--|
| <input type="checkbox"/> Lighting ON-OFF System (High Power LED) | <input type="checkbox"/> Additional Post of Supporting Steel Structurepc |
| <input type="checkbox"/> Lighting Dimmer System | <input type="checkbox"/> Side Overhang Past Rafter (max. 100 cm per side) Type..... (I / II / III / IV / V / VI)
Left Overhangcm. Right Overhangcm. |
| <input type="checkbox"/> Aerofoil Louvre (Line).....pc | <input type="checkbox"/> Storm Channel for Joining Systems & Double Rafter Wall Bracket Kit (for multiple systems) |
| <input type="checkbox"/> Side Raftercm
Quantity.....pc | |
| <input type="checkbox"/> Support Post of Side Raftercm
Quantity.....pc | |
| <input type="checkbox"/> Additional Railpc | |

PACKAGING REQUIRMENTS

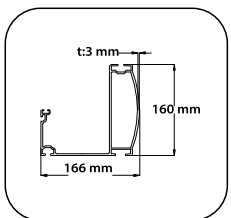
- Only Bubble Wrap (Standart Packing) Bubble Wrap & Hard Cardboard**

ADDITIONAL NOTES & DRAWINGS ATTACHED

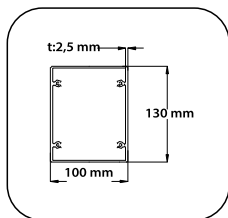
*** Extra cost charge



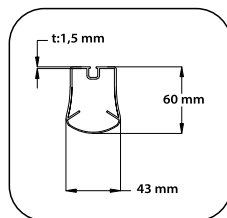
1- Rafter Profile



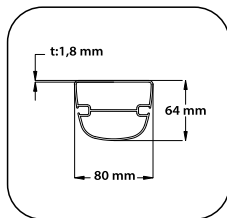
2- Gutter Profile



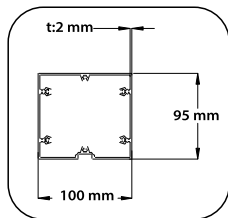
3- Front Column Profile



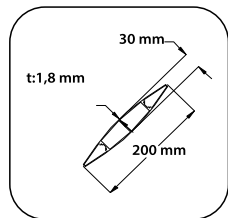
4- Fabric Support Profile



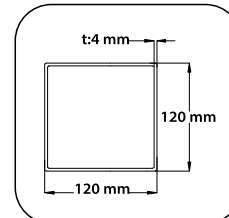
5- Puller Profile



6- Side Rafter Profile



7- Aerofil Louvre Profile



8- Hollow Section Steel Profile

REMOTE CONTROLLED SYSTEM (WITHOUT LIGHTING)

UZAKTAN KUMANDALI SİSTEM (IŞIKSIZ)

WIDTH / CEPHE (cm)

EXTENSION (cm)	1 MODULE			2 MODULES					3 MODULES				EXTRA RAFTER (pc)
	300	400	450	500	600	700	800	900	1000	1100	1200	1300	
	600	8.952 €	9.757 €	10.154 €	12.136 €	12.660 €	13.450 €	14.602 €	15.407 €	18.135 €	19.064 €	19.860 €	
800	9.847 €	10.779 €	11.238 €	13.568 €	14.175 €	15.089 €	16.367 €	17.296 €	20.402 €	21.481 €	22.419 €	23.124 €	1.666 €
1000	10.741 €	11.801 €	12.322 €	15.002 €	15.690 €	16.729 €	18.134 €	19.187 €	22.671 €	23.899 €	24.983 €	25.764 €	1.826 €
1200	11.636 €	12.823 €	13.405 €	16.436 €	17.205 €	18.367 €	19.901 €	21.076 €	24.938 €	26.316 €	27.544 €	28.404 €	1.984 €
1400	12.530 €	13.844 €	14.489 €	17.868 €	18.719 €	20.007 €	21.668 €	22.967 €	27.206 €	28.733 €	30.104 €	31.044 €	2.144 €

REMOTE CONTROLLED SYSTEM WITH HIGH POWER LED LIGHTING

UZAKTAN KUMANDALI SİSTEM (IŞIKLI)

WIDTH / CEPHE (cm)

EXTENSION (cm)	1 MODULE			2 MODULES					3 MODULES				EXTRA RAFTER (pc)
	300	400	450	500	600	700	800	900	1000	1100	1200	1300	
	600	10.026 €	10.920 €	11.358 €	13.570 €	14.155 €	15.031 €	16.269 €	17.157 €	20.151 €	21.179 €	22.033 €	
800	11.133 €	12.181 €	12.697 €	15.280 €	15.969 €	17.000 €	18.395 €	19.437 €	22.839 €	24.057 €	25.069 €	25.907 €	1.666 €
1000	12.234 €	13.440 €	14.031 €	16.989 €	17.779 €	18.965 €	20.519 €	21.715 €	25.530 €	26.934 €	28.111 €	29.061 €	1.826 €
1200	13.393 €	14.756 €	15.428 €	18.756 €	19.646 €	20.986 €	22.700 €	24.047 €	28.276 €	29.865 €	31.206 €	32.271 €	1.984 €
1400	14.493 €	16.015 €	16.764 €	20.464 €	21.458 €	22.953 €	24.825 €	26.327 €	30.965 €	32.741 €	34.245 €	35.425 €	2.144 €

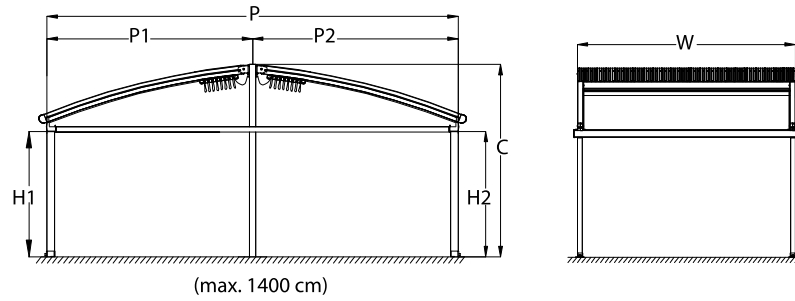
OPTIONAL	300	400	450	500	600	700	800	900	1000	1100	1200	1300
	AEROFIL LOUVRE (LINE)	94 €	117 €	128 €	128 €	188 €	188 €	211 €	233 €	256 €	316 €	350 €

STEEL CONSTR. EXTRA COLUMN	SIDE RAFTER /mt	SIDE RAFTER SUPPORT COLUMN 3,00 mt	SIDE RAFTER SUPPORT COLUMN 4,50 mt	EXTRA FRONT COLUMN 3,00 mt	EXTRA FRONT COLUMN 4,50 mt	DIMMER (REMOTE CONTROL)
400 €	35 €	137 €	190 €	153 €	206 €	1340 €

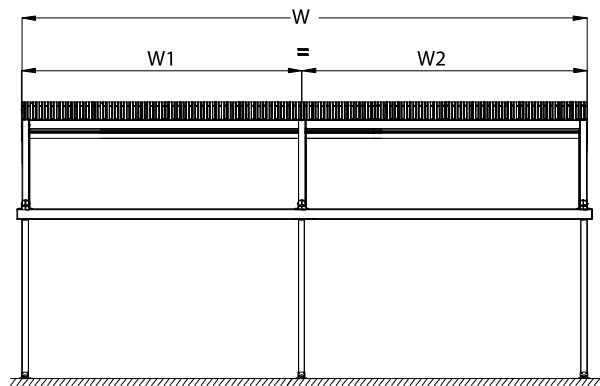
* Prices are based on ex-works.

* The standart production color is ON617 & OGN35.

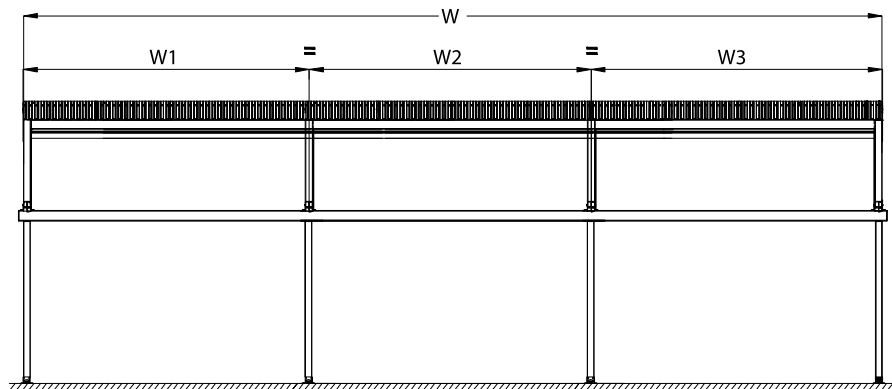
* Extra charge for other colors shall be calculated as %6 based on system price without lighting + optional profiles .



One Module 135 cm > 450 cm



Two Modules 450 cm > 900 cm



Three Modules 900 cm > 1300 cm

Order Name / No :

Order Date :

Company Name :

Quantity :

DIMENSIONS

W - Total Width cm

P1 - Projection 1 cm

P2 - Projection 2 cm

C - Top Height cm

H1 - Front / Post Height1 cm

H2 - Front / Post Height2 cm

Total Number of Post required (Maximum span between posts with gutter profile is 600 cm)

If modules are multiple and each module is in different width, please provide details (max. width for single modules is 450 cm, double modules 900 cm, triple modules 1300 cm)

W1..... cm

W2..... cm

W3..... cm

POWDERCOAT COLORS

Standart Colors

Ral Colors

Exclusive Colors

Anthracite ON617

RAL 9005

Anthracite ON611

Anthracite OGN35

RAL 9016

RAL 8019 ST

RAL 1013

RAL 9010 ST

RAL 9006

RAL 1013 ST

RAL 7016

RAL 9006 ST

Other RAL.....

PVC BLACKOUT FABRIC

Basic

Exclusive

prg 121 / White

prg 221 / White 3D

Other.....

prg 111 / Cream

prg 211 / Cream 3D

prg 241 / Grey 3D

OPTIONALS

Lighting ON-OFF System (High Power LED)

Additional Post of Supporting Steel Structurepc

Lighting Dimmer System

Side Overhang Past Rafter (max. 100 cm per side) Type..... (I / II / III / IV / V / VI)
Left Overhangcm. Right Overhangcm.

Aerofoil Louvre (Line).....pc

Storm Channel for Joining Systems & Double Rafter Wall Bracket Kit (for multiple systems)

Side Raftercm
Quantity.....pc

Support Post of Side Raftercm
Quantity.....pc

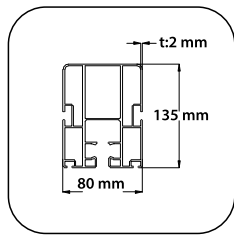
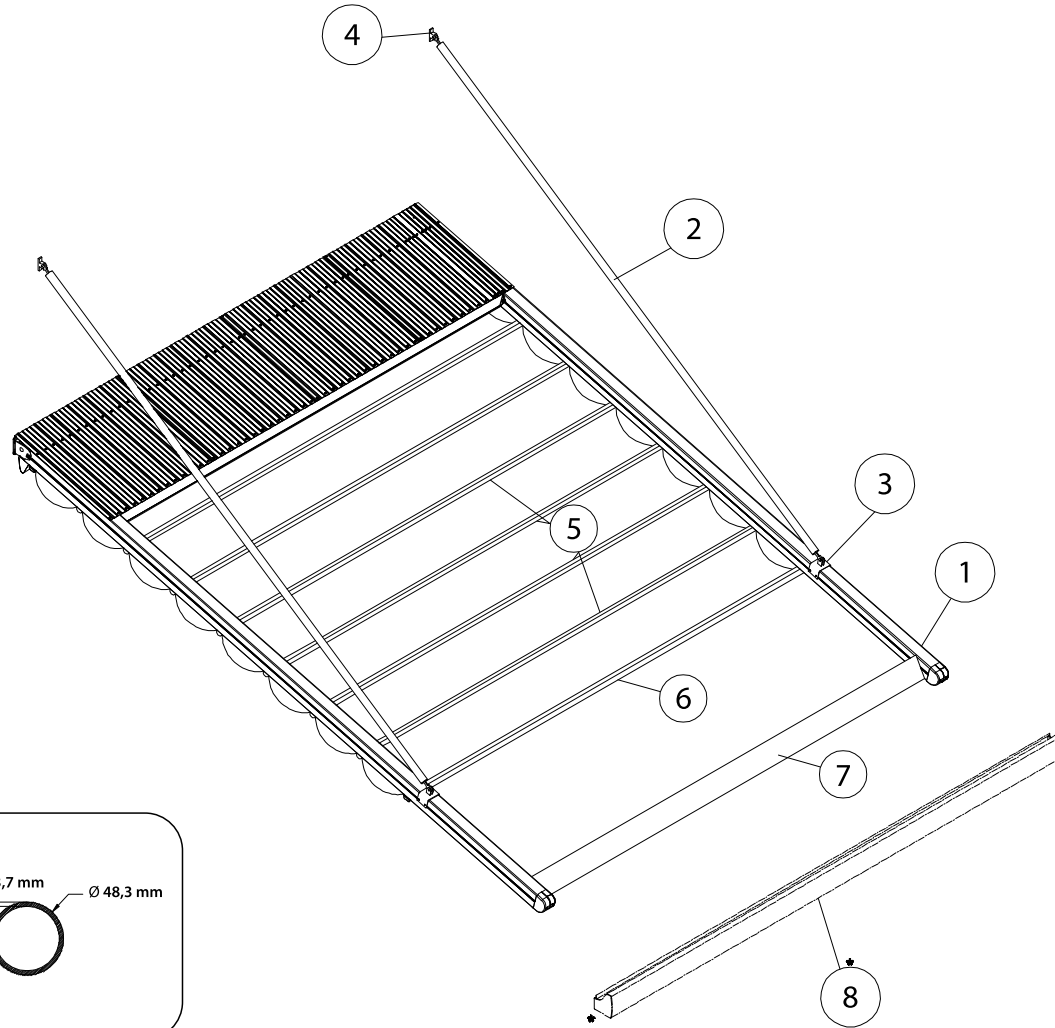
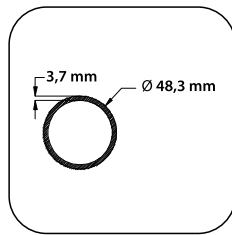
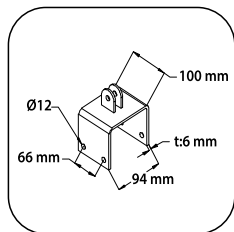
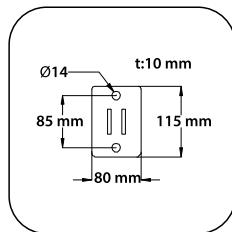
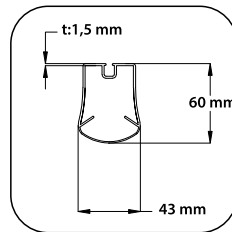
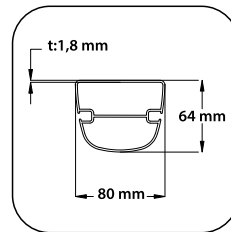
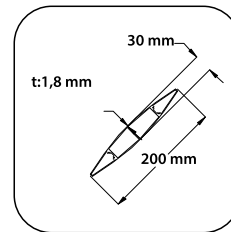
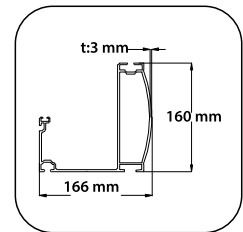
Additional Railpc

PACKAGING REQUIRMENTS

Only Bubble Wrap (Standart Packing) Bubble Wrap & Hard Cardboard**

ADDITIONAL NOTES & DRAWINGS ATTACHED

*** Extra cost charge


1- Rafter Profile

2- Hang Tube Profile

3- Hang Profile

4- Hang Wall Bracket Profile

5- Fabric Support Profile

6- Puller Profile

7- Aerofil Louvre Profile

8- Gutter Profile

* Optional

REMOTE CONTROLLED SYSTEM (WITHOUT LIGHTING)
UZAKTAN KUMANDALI SİSTEM (IŞIKSIZ)
WIDTH / CEPHE (cm)

EXTENSION (cm)	1 MODULE			2 MODULES				3 MODULES				EXTRA RAFTER (pc)	EXTRA RAFTER & INOX HANG	
	300	400	450	500	600	700	800	900	1000	1100	1200			1300
	300	2.797 €	3.090 €	3.234 €	3.933 €	4.073 €	4.348 €	4.626 €	4.899 €	5.686 €	6.028 €			6.292 €
400	3.164 €	3.516 €	3.690 €	4.535 €	4.711 €	5.045 €	5.401 €	5.715 €	6.666 €	7.081 €	7.415 €	7.653 €	753 €	922 €
500	3.751 €	4.164 €	4.366 €	5.467 €	5.680 €	6.074 €	6.473 €	6.863 €	8.089 €	8.576 €	8.980 €	9.254 €	904 €	1168 €

REMOTE CONTROLLED SYSTEM WITH HIGH POWER LED LIGHTING
UZAKTAN KUMANDALI SİSTEM (IŞIKLI)
WIDTH / CEPHE (cm)

EXTENSION (cm)	1 MODULE			2 MODULES				3 MODULES				EXTRA RAFTER (pc)	EXTRA RAFTER & INOX HANG	
	300	400	450	500	600	700	800	900	1000	1100	1200			1300
	300	3.334 €	3.672 €	3.836 €	4.650 €	4.820 €	5.138 €	5.460 €	5.774 €	6.694 €	7.086 €			7.379 €
400	3.807 €	4.217 €	4.420 €	5.390 €	5.608 €	6.000 €	6.415 €	6.785 €	7.884 €	8.369 €	8.739 €	9.045 €	753 €	922 €
500	4.498 €	4.984 €	5.221 €	6.461 €	6.724 €	7.192 €	7.665 €	8.127 €	9.519 €	10.094 €	10.544 €	10.903 €	904 €	1168 €

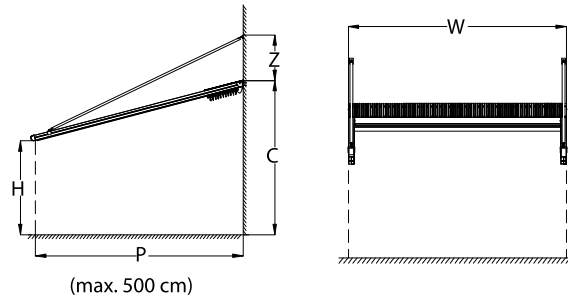
OPTIONAL

	300	400	450	500	600	700	800	900	1000	1100	1200	1300
GUTTER	182 €	224 €	246 €	285 €	328 €	370 €	413 €	455 €	516 €	559 €	601 €	644 €
ADDITIONAL AEROFIL LOUVRE (LINE)	94 €	117 €	128 €	188 €	188 €	211 €	233 €	256 €	316 €	350 €	350 €	384 €
EXTRA CHARGE FOR INOX HANGS 400	328 €			492 €				656 €				
EXTRA CHARGE FOR INOX HANGS 500	798 €			1197 €				1596 €				
STEEL BEAM 60x120x3 mm	135 €	180 €	203 €	225 €	270 €	315 €	360 €	405 €	450 €	495 €	540 €	585 €
DIMMER (REMOTE CONTROL)	670 €											

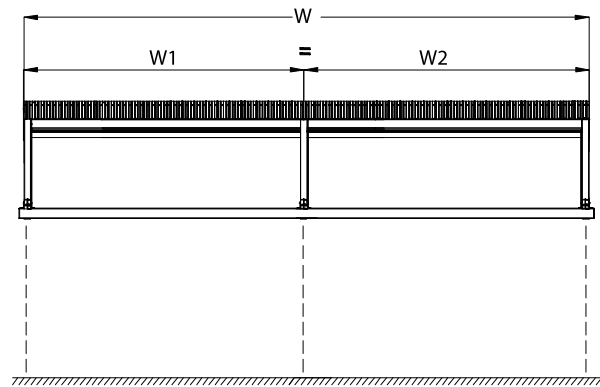
* Prices are based on ex-works.

* The standart production color is ON617 & OGN35.

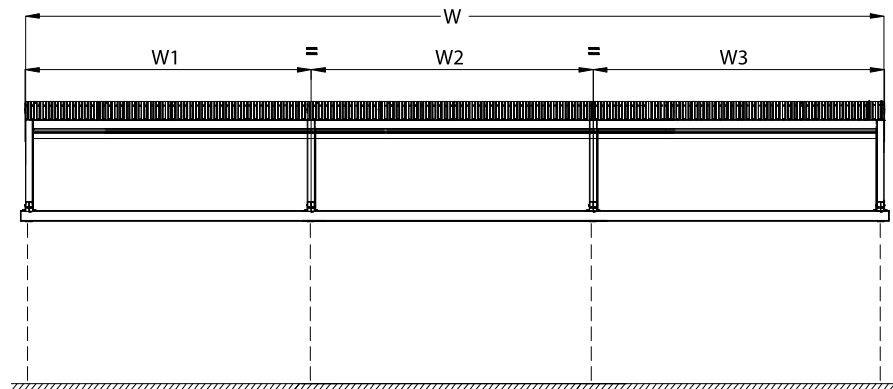
* Extra charge for other colors shall be calculated as %6 based on system price without lighting + optional profiles .


One Module

135 cm > 450 cm


Two Modules

450 cm > 900 cm


Three Modules

900 cm > 1300 cm

REMOTE CONTROLLED SYSTEM (WITHOUT LIGHTING)
UZAKTAN KUMANDALI SİSTEM (IŞIKSIZ)
WIDTH / CEPHE (cm)

EXTENSION (cm)	1 MODULE			2 MODULES				3 MODULES				EXTRA RAFTER (pc)	EXTRA RAFTER & INOX HANG	
	300	400	450	500	600	700	800	900	1000	1100	1200			1300
	300	3.782 €	4.088 €	4.238 €	5.149 €	5.302 €	5.590 €	5.882 €	6.168 €	7.453 €	7.812 €			8.089 €
400	4.234 €	4.604 €	4.786 €	5.880 €	6.071 €	6.427 €	6.784 €	7.132 €	8.622 €	9.058 €	9.409 €	9.668 €	928 €	1.096 €
500	4.907 €	5.340 €	5.554 €	6.944 €	7.179 €	7.595 €	8.016 €	8.428 €	10.233 €	10.746 €	11.171 €	11.470 €	1098 €	1.361 €

REMOTE CONTROLLED SYSTEM WITH HIGH POWER LED LIGHTING
UZAKTAN KUMANDALI SİSTEM (IŞIKLI)
WIDTH / CEPHE (cm)

EXTENSION (cm)	1 MODULE			2 MODULES				3 MODULES				EXTRA RAFTER (pc)	EXTRA RAFTER & INOX HANG	
	300	400	450	500	600	700	800	900	1000	1100	1200			1300
	300	4.319 €	4.669 €	4.840 €	5.866 €	6.049 €	6.381 €	6.716 €	7.043 €	8.461 €	8.869 €			9.176 €
400	4.876 €	5.305 €	5.515 €	6.736 €	6.968 €	7.382 €	7.797 €	8.203 €	9.841 €	10.345 €	10.734 €	11.060 €	928 €	1.096 €
500	5.653 €	6.159 €	6.409 €	7.937 €	8.223 €	8.713 €	9.208 €	9.692 €	11.663 €	12.264 €	12.735 €	13.119 €	1098 €	1.361 €

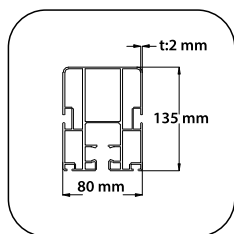
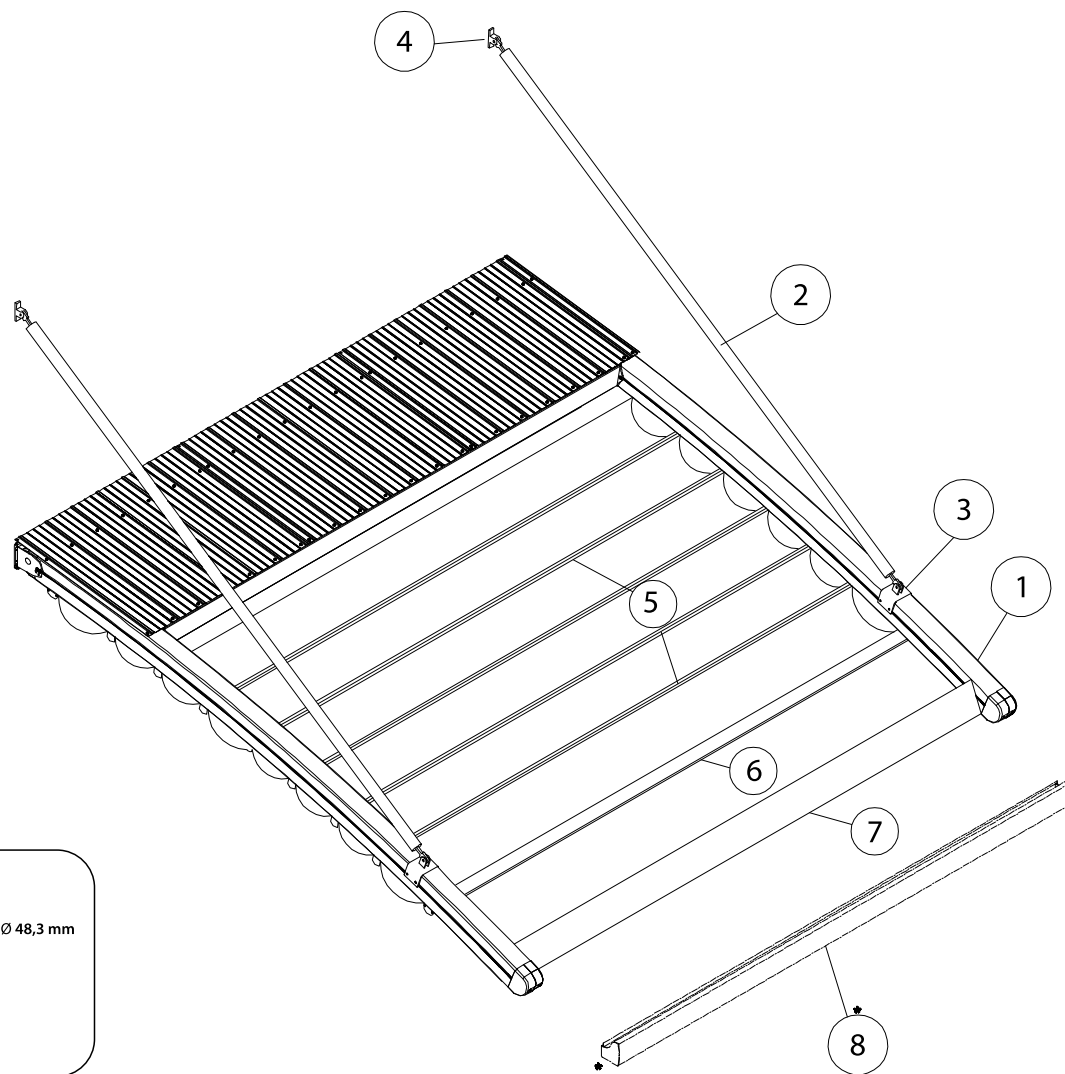
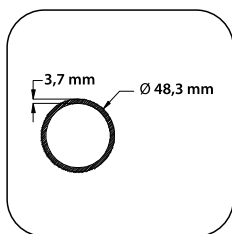
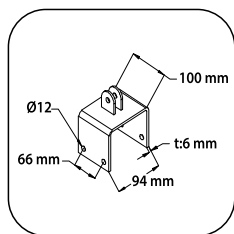
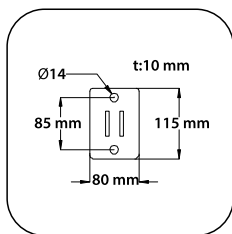
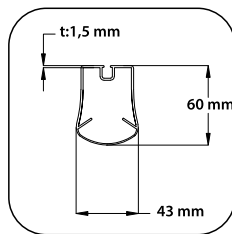
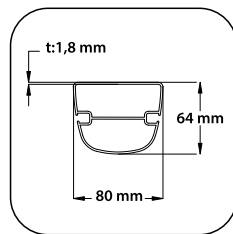
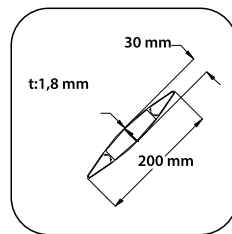
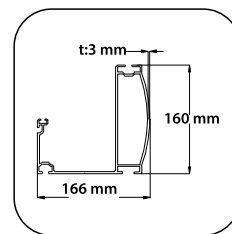
OPTIONAL

	300	400	450	500	600	700	800	900	1000	1100	1200	1300
GUTTER	182 €	224 €	246 €	285 €	328 €	370 €	413 €	455 €	516 €	559 €	601 €	644 €
ADDITIONAL AEROFIL LOUVRE (LINE)	94 €	117 €	128 €	188 €	188 €	211 €	233 €	256 €	316 €	350 €	350 €	384 €
EXTRA CHARGE FOR INOX HANGS 400	328 €			492 €				656 €				
EXTRA CHARGE FOR INOX HANGS 500	798 €			1197 €				1596 €				
STEEL BEAM 60x120x3 mm	135 €	180 €	203 €	225 €	270 €	315 €	360 €	405 €	450 €	495 €	540 €	585 €
DIMMER (REMOTE CONTROL)	670 €											

* Prices are based on ex-works.

* The standart production color is ON617 & OGN35.

* Extra charge for other colors shall be calculated as %6 based on system price without lighting + optional profiles .


1- Rafter Profile

2- Hang Tube Profile

3- Hang Profile

4- Hang Wall Bracket Profile

5- Fabric Support Profile

6- Puller Profile

7- Aerofil Louvre Profile

8- Gutter Profile

* Optional

Order Name / No:

Order Date:

Company Name :

Quantity :

DIMENSIONS

W - Total Width cm
 P - Projection cm
 C - Wall / Back Height cm
 Z - Hang Height cm
 H - Front Height cm

If modules are multiple and each module is in different width, please provide details (max. width for single modules is 450 cm, double modules 900 cm, triple modules 1300 cm)

W1..... cm
 W2..... cm
 W3..... cm

POWDERCOAT COLORS

Standart Colors

Ral Colors

Exclusive Colors

- | | | |
|---|---|---|
| <input type="checkbox"/> Anthracite ON617 | <input type="checkbox"/> RAL 9005 | <input type="checkbox"/> Anthracite ON611 |
| <input type="checkbox"/> Anthracite OGN35 | <input type="checkbox"/> RAL 9016 | <input type="checkbox"/> RAL 8019 ST |
| | <input type="checkbox"/> RAL 1013 | <input type="checkbox"/> RAL 9010 ST |
| | <input type="checkbox"/> RAL 9006 | <input type="checkbox"/> RAL 1013 ST |
| | <input type="checkbox"/> RAL 7016 | <input type="checkbox"/> RAL 9006 ST |
| | <input type="checkbox"/> Other RAL..... | |

PVC BLACKOUT FABRIC

Basic

Exclusive

- | | | |
|--|---|-------------------------------------|
| <input type="checkbox"/> prg 121 / White | <input type="checkbox"/> prg 221 / White 3D | <input type="checkbox"/> Other..... |
| <input type="checkbox"/> prg 111 / Cream | <input type="checkbox"/> prg 211 / Cream 3D | |
| | <input type="checkbox"/> prg 241 / Grey 3D | |

OPTIONALS

- | | |
|--|--|
| <input type="checkbox"/> Lighting ON-OFF System (High Power LED) | <input type="checkbox"/> Wall Installation Steel Beam |
| <input type="checkbox"/> Lighting Dimmer System | <input type="checkbox"/> Additional Post of Supporting Steel Structurepc |
| <input type="checkbox"/> Aerofoil Louvre (Line).....pc | <input type="checkbox"/> Side Overhang Past Rafter (max. 100 cm per side) Type..... (I / II / III / IV / V / VI)
Left Overhangcm. Right Overhangcm. |
| <input type="checkbox"/> Additional Railpc | <input type="checkbox"/> Storm Channel for Joining Systems & Double Rafter Wall Bracket Kit (for multiple systems) |
| <input type="checkbox"/> Supporting Steel Structure With Post | |

INSTALLATION BRACKET

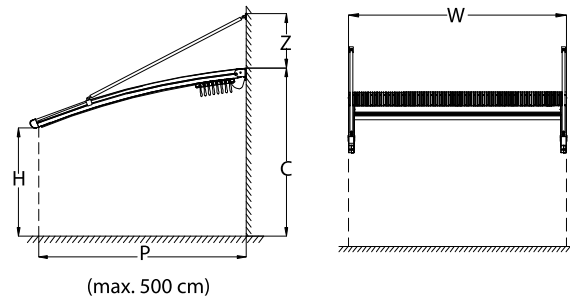
- Wall Bracket Ceiling Bracket

PACKAGING REQUIRMENTS

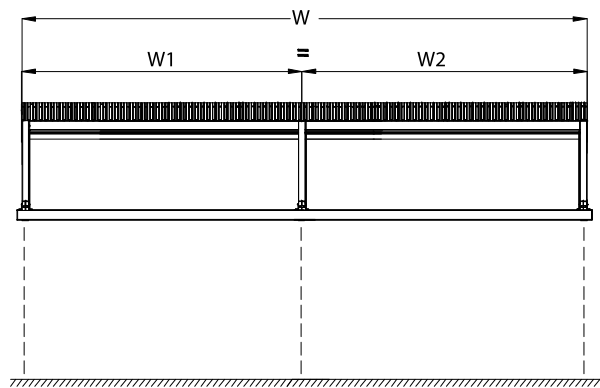
- Only Bubble Wrap (Standart Packing) Bubble Wrap & Hard Cardboard**

ADDITIONAL NOTES & DRAWINGS ATTACHED

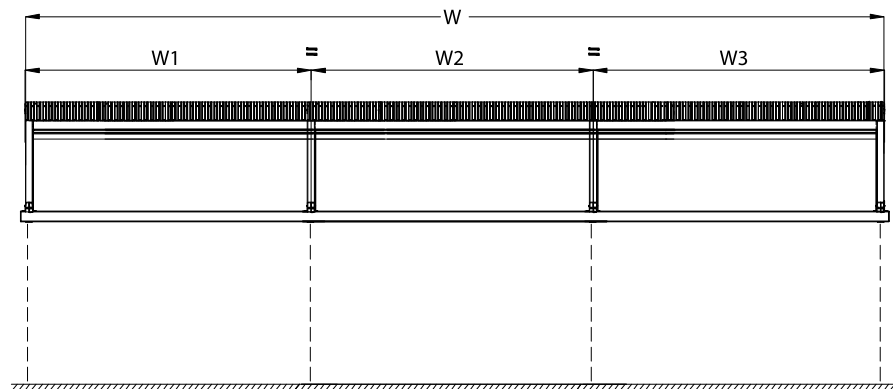
*** Extra cost charge



One Module	135 cm > 450 cm
-------------------	---------------------------



Two Modules	450 cm > 900 cm
--------------------	---------------------------



Three Modules	900 cm > 1300 cm
----------------------	----------------------------

Order Name / No:

Order Date:

Company Name :

Quantity :

DIMENSIONS

W - Total Width cm
 P - Projection cm
 C - Wall / Back Height cm
 Z - Hang Height cm
 H - Front Height cm

If modules are multiple and each module is in different width, please provide details (max. width for single modules is 450 cm, double modules 900 cm, triple modules 1300 cm)

W1..... cm
 W2..... cm
 W3..... cm

POWDERCOAT COLORS

Standart Colors

Ral Colors

Exclusive Colors

- | | | |
|---|---|---|
| <input type="checkbox"/> Anthracite ON617 | <input type="checkbox"/> RAL 9005 | <input type="checkbox"/> Anthracite ON611 |
| <input type="checkbox"/> Anthracite OGN35 | <input type="checkbox"/> RAL 9016 | <input type="checkbox"/> RAL 8019 ST |
| | <input type="checkbox"/> RAL 1013 | <input type="checkbox"/> RAL 9010 ST |
| | <input type="checkbox"/> RAL 9006 | <input type="checkbox"/> RAL 1013 ST |
| | <input type="checkbox"/> RAL 7016 | <input type="checkbox"/> RAL 9006 ST |
| | <input type="checkbox"/> Other RAL..... | |

PVC BLACKOUT FABRIC

Basic

Exclusive

- | | | |
|--|---|-------------------------------------|
| <input type="checkbox"/> prg 121 / White | <input type="checkbox"/> prg 221 / White 3D | <input type="checkbox"/> Other..... |
| <input type="checkbox"/> prg 111 / Cream | <input type="checkbox"/> prg 211 / Cream 3D | |
| | <input type="checkbox"/> prg 241 / Grey 3D | |

OPTIONALS

- | | |
|--|--|
| <input type="checkbox"/> Lighting ON-OFF System (High Power LED) | <input type="checkbox"/> Wall Installation Steel Beam |
| <input type="checkbox"/> Lighting Dimmer System | <input type="checkbox"/> Additional Post of Supporting Steel Structurepc |
| <input type="checkbox"/> Aerofoil Louvre (Line).....pc | <input type="checkbox"/> Side Overhang Past Rafter (max. 100 cm per side) Type..... (I / II / III / IV / V / VI)
Left Overhangcm. Right Overhangcm. |
| <input type="checkbox"/> Additional Railpc | <input type="checkbox"/> Storm Channel for Joining Systems & Double Rafter Wall Bracket Kit (for multiple systems) |
| <input type="checkbox"/> Supporting Steel Structure With Post | |

INSTALLATION BRACKET

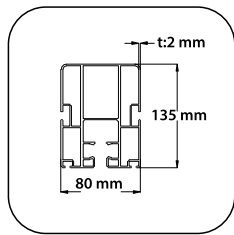
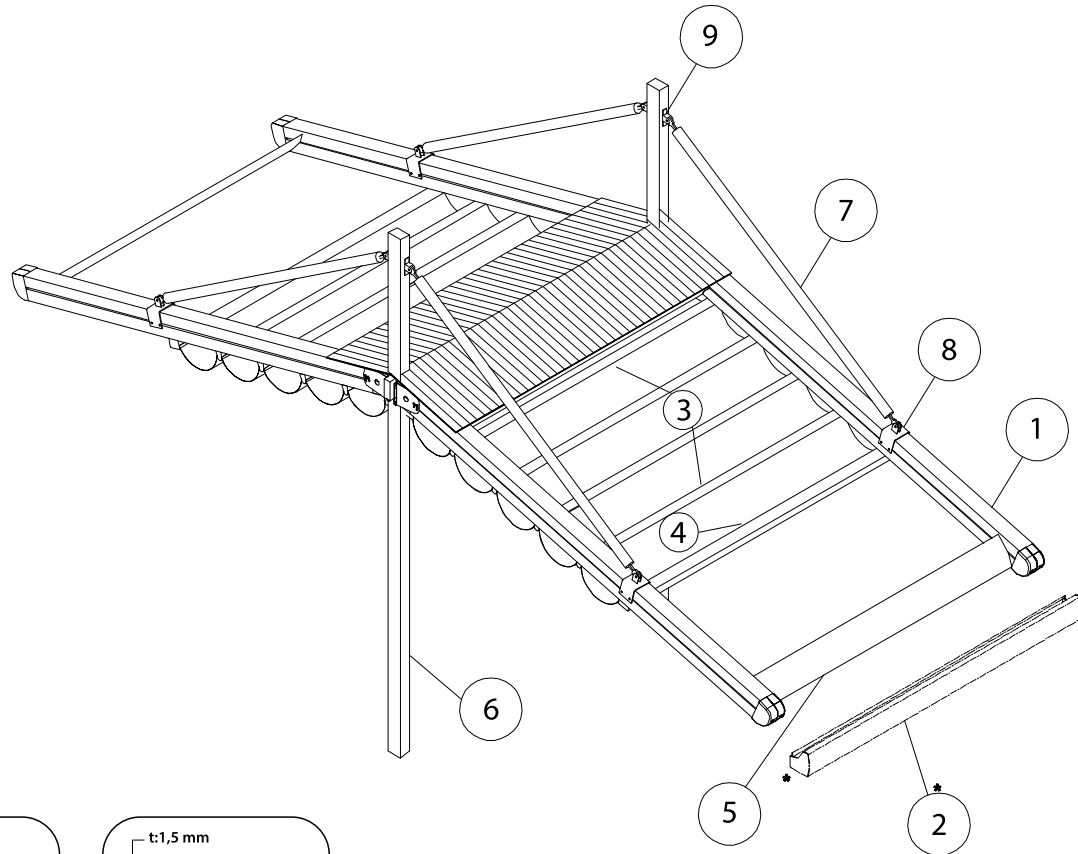
- Wall Bracket Ceiling Bracket

PACKAGING REQUIRMENTS

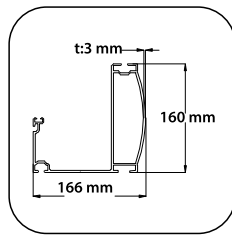
- Only Bubble Wrap (Standart Packing) Bubble Wrap & Hard Cardboard**

ADDITIONAL NOTES & DRAWINGS ATTACHED

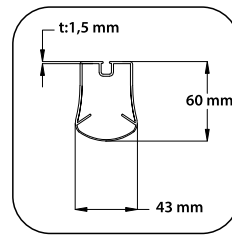
*** Extra cost charge



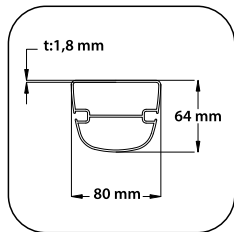
1- Rafter Profile



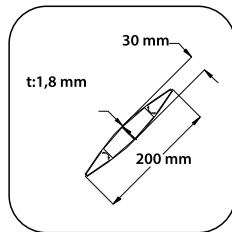
2- Gutter Profile
* Optional



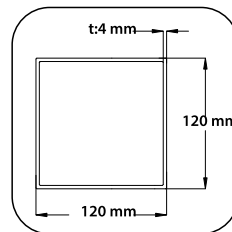
3- Fabric Support Profile



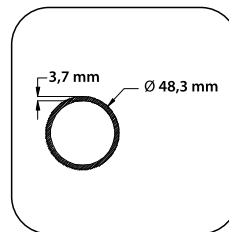
4- Puller Profile



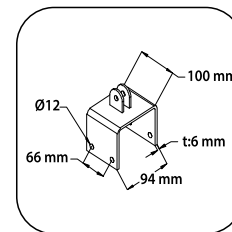
5- Aerofil Louvre Profile



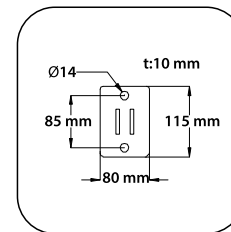
6- Hollow Section Steel Profile



7- Hang Tube Profile



8- Hang Profile



9- Hang Wall Bracket Profile

REMOTE CONTROLLED SYSTEM (WITHOUT LIGHTING)

UZAKTAN KUMANDALI SİSTEM (IŞIKSIZ)

WIDTH / CEPHE (cm)

EXTENSION (cm)	1 MODULE			2 MODULES				3 MODULES				EXTRA RAFTER (pc)	EXTRA RAFTER & INOX HANG	
	300	400	450	500	600	700	800	900	1000	1100	1200			1300
	600	6.930 €	7.604 €	7.937 €	9.379 €	9.747 €	10.564 €	11.566 €	12.200 €	13.864 €	14.637 €			15.255 €
800	7.663 €	8.457 €	8.848 €	10.582 €	11.024 €	11.958 €	13.117 €	13.832 €	15.824 €	16.743 €	17.499 €	18.065 €	1.506 €	1.843 €
1000	8.838 €	9.753 €	10.201 €	12.448 €	12.962 €	14.018 €	15.260 €	16.129 €	18.670 €	19.733 €	20.630 €	21.267 €	1.089 €	2.335 €

REMOTE CONTROLLED SYSTEM WITH HIGH POWER LED LIGHTING

UZAKTAN KUMANDALI SİSTEM (IŞIKLI)

WIDTH / CEPHE (cm)

EXTENSION (cm)	1 MODULE			2 MODULES				3 MODULES				EXTRA RAFTER (pc)	EXTRA RAFTER & INOX HANG	
	300	400	450	500	600	700	800	900	1000	1100	1200			1300
	600	8.003 €	8.768 €	9.141 €	10.813 €	11.242 €	12.145 €	13.234 €	13.950 €	15.880 €	16.752 €			17.428 €
800	8.948 €	9.859 €	10.308 €	12.293 €	12.818 €	13.869 €	15.144 €	15.973 €	18.261 €	19.318 €	20.149 €	20.849 €	1.506 €	1.843 €
1000	10.331 €	11.391 €	11.911 €	14.434 €	15.050 €	16.253 €	17.644 €	18.657 €	21.530 €	22.768 €	23.759 €	24.565 €	1.089 €	2.335 €

OPTIONAL

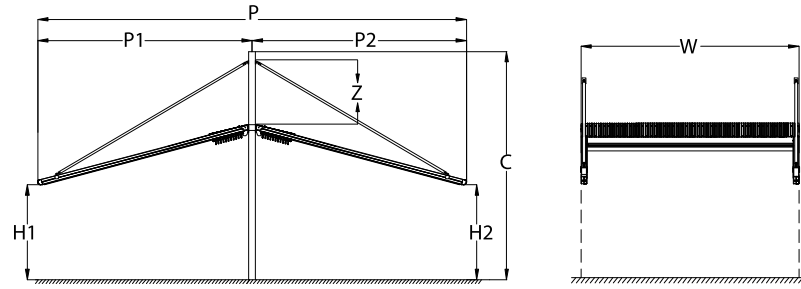
	300	400	450	500	600	700	800	900	1000	1100	1200	1300
GUTTER	364 €	448 €	492 €	570 €	656 €	740 €	826 €	910 €	1.032 €	1.118 €	1.202 €	1.288 €
ADDITIONAL AEROFIL LOUVRE (LINE)	94 €	117 €	128 €	188 €	188 €	211 €	233 €	256 €	316 €	350 €	350 €	384 €
EXTRA CHARGE FOR INOX HANGS 800	656 €			984 €				1.312 €				
EXTRA CHARGE FOR INOX HANGS 1000	1.596 €			2.394 €				3.192 €				

DIMMER (REMOTE CONTROL)	1340 €	STEEL CONS. EXTRA COLUMN	600 €
--------------------------------	--------	---------------------------------	-------

* Prices are based on ex-works.

* The standart production color is ON617 & OGN35.

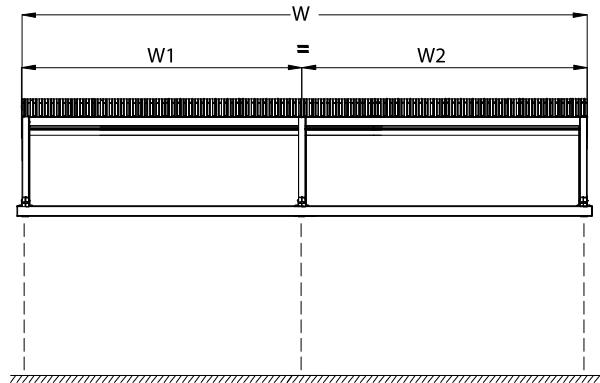
* Extra charge for other colors shall be calculated as %6 based on system price without lighting + optional profiles .



(max. 1000 cm)

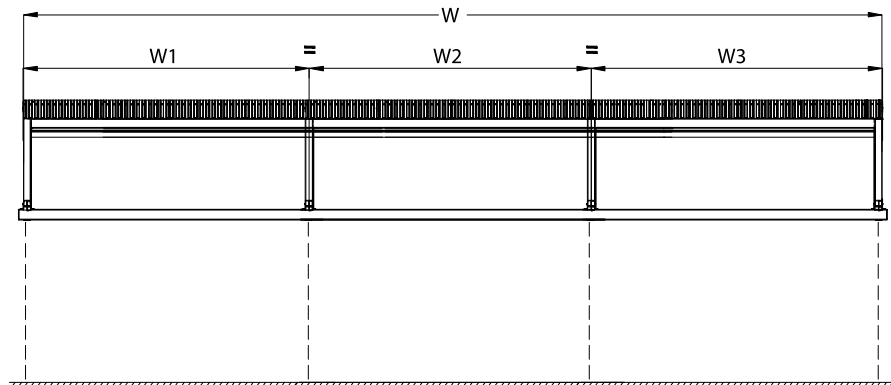
One Module

135 cm > 450 cm



Two Modules

450 cm > 900 cm



Three Modules

900 cm > 1300 cm

REMOTE CONTROLLED SYSTEM (WITHOUT LIGHTING)
UZAKTAN KUMANDALI SİSTEM (IŞIKSIZ)
WIDTH / CEPHE (cm)

EXTENSION (cm)	1 MODULE			2 MODULES				3 MODULES				EXTRA RAFTER (pc)	EXTRA RAFTER & INOX HANG	
	300	400	450	500	600	700	800	900	1000	1100	1200			1300
	600	8.898 €	9.600 €	9.945 €	11.810 €	12.205 €	13.049 €	14.078 €	14.738 €	17.398 €	18.204 €			18.848 €
800	9.802 €	10.632 €	11.040 €	13.273 €	13.743 €	14.722 €	15.881 €	16.668 €	19.737 €	20.696 €	21.488 €	22.095 €	1.856 €	2.192 €
1000	11.148 €	12.104 €	12.577 €	15.401 €	15.959 €	17.060 €	18.346 €	19.260 €	22.958 €	24.073 €	25.013 €	25.700 €	2.196 €	2.722 €

REMOTE CONTROLLED SYSTEM WITH HIGH POWER LED LIGHTING
UZAKTAN KUMANDALI SİSTEM (IŞIKLI)
WIDTH / CEPHE (cm)

EXTENSION (cm)	1 MODULE			2 MODULES				3 MODULES				EXTRA RAFTER (pc)	EXTRA RAFTER & INOX HANG	
	300	400	450	500	600	700	800	900	1000	1100	1200			1300
	600	9.972 €	10.763 €	11.149 €	13.244 €	13.700 €	14.630 €	15.745 €	16.489 €	19.413 €	20.320 €			21.021 €
800	11.088 €	12.034 €	12.499 €	14.985 €	15.538 €	16.633 €	17.909 €	18.809 €	22.173 €	23.271 €	24.138 €	24.879 €	1.856 €	2.192 €
1000	12.641 €	13.743 €	14.287 €	17.387 €	18.048 €	19.295 €	20.731 €	21.788 €	25.818 €	27.108 €	28.141 €	28.997 €	2.196 €	2.722 €

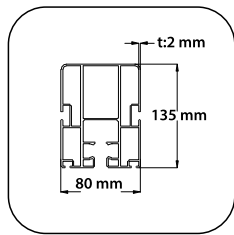
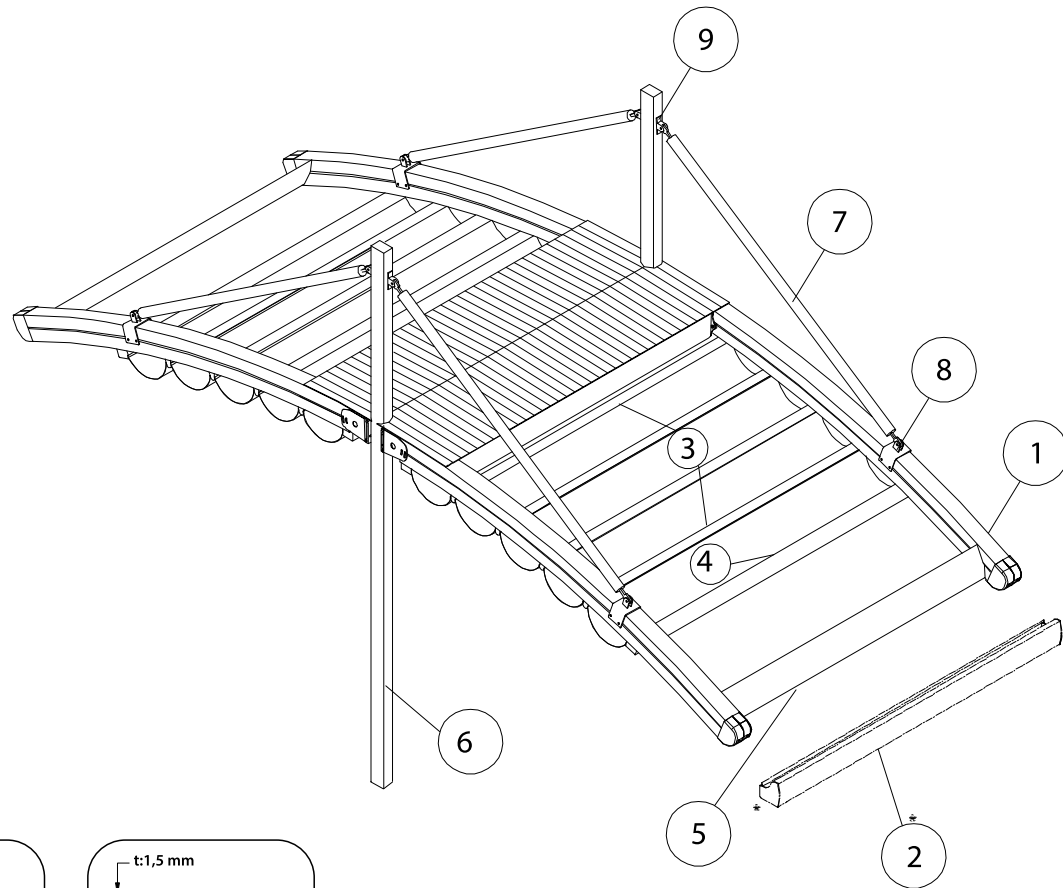
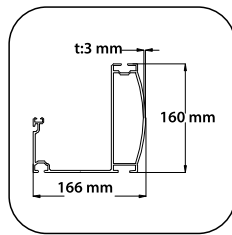
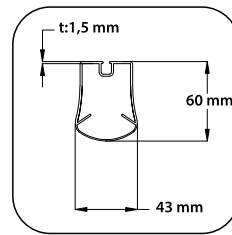
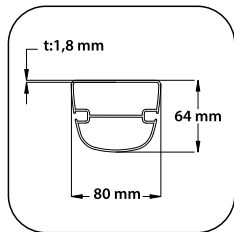
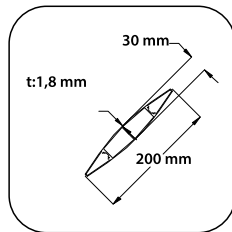
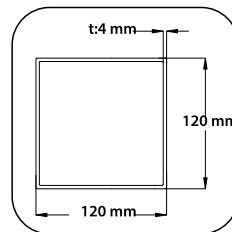
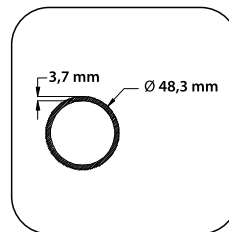
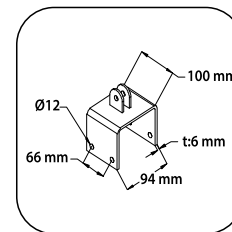
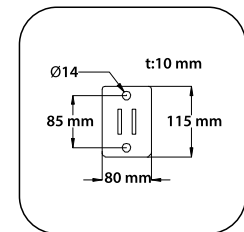
OPTIONAL

	300	400	450	500	600	700	800	900	1000	1100	1200	1300
GUTTER	364 €	448 €	492 €	570 €	656 €	740 €	826 €	910 €	1.032 €	1.118 €	1.202 €	1.288 €
ADDITIONAL AEROFIL LOUVRE (LINE)	94 €	117 €	128 €	188 €	188 €	211 €	233 €	256 €	316 €	350 €	350 €	384 €
EXTRA CHARGE FOR INOX HANGS 800	656 €			984 €				1.312 €				
EXTRA CHARGE FOR INOX HANGS 1000	1.596 €			2.394 €				3.192 €				
DIMMER (REMOTE CONTROL)	1340 €	STEEL CONS. EXTRA COLUMN		600 €								

* Prices are based on ex-works.

* The standart production color is ON617 & OGN35.

* Extra charge for other colors shall be calculated as %6 based on system price without lighting + optional profiles .


1- Rafter Profile

2- Gutter Profile
 * Optional

3- Fabric Support Profile

4- Puller Profile

5- Aerofil Louvre Profile

6- Hollow Section Steel Profile

7- Hang Tube Profile

8- Hang Profile

9- Hang Wall Bracket Profile

Order Name / No :

Order Date :

Company Name :

Quantity :

DIMENSIONS

W - Total Width cm
 P1 - Projection 1 cm
 P2 Projection 2 cm
 C - Top Height cm
 Z - Hang Height cm
 H 1- Front Height 1 cm
 H 2- Front Height 2 cm

If modules are multiple and each module is in different width, please provide details (max. width for single modules is 450 cm, double modules 900 cm, triple modules 1300 cm)

W1..... cm
 W2..... cm
 W3..... cm

POWDERCOAT COLORS

Standart Colors

Ral Colors

Exclusive Colors

- | | | |
|---|---|---|
| <input type="checkbox"/> Anthracite ON617 | <input type="checkbox"/> RAL 9005 | <input type="checkbox"/> Anthracite ON611 |
| <input type="checkbox"/> Anthracite OGN35 | <input type="checkbox"/> RAL 9016 | <input type="checkbox"/> RAL 8019 ST |
| | <input type="checkbox"/> RAL 1013 | <input type="checkbox"/> RAL 9010 ST |
| | <input type="checkbox"/> RAL 9006 | <input type="checkbox"/> RAL 1013 ST |
| | <input type="checkbox"/> RAL 7016 | <input type="checkbox"/> RAL 9006 ST |
| | <input type="checkbox"/> Other RAL..... | |

PVC BLACKOUT FABRIC

Basic

Exclusive

- | | | |
|--|---|-------------------------------------|
| <input type="checkbox"/> prg 121 / White | <input type="checkbox"/> prg 221 / White 3D | <input type="checkbox"/> Other..... |
| <input type="checkbox"/> prg 111 / Cream | <input type="checkbox"/> prg 211 / Cream 3D | |
| | <input type="checkbox"/> prg 241 / Grey 3D | |

OPTIONALS

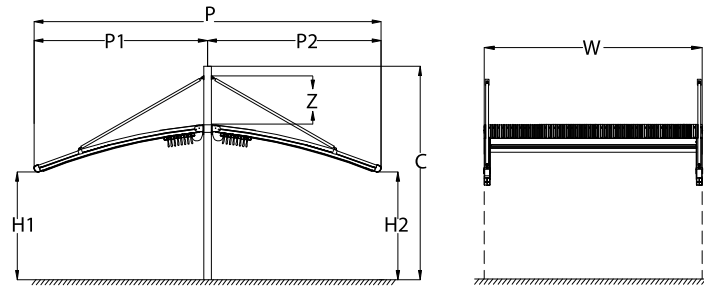
- | | |
|--|--|
| <input type="checkbox"/> Lighting ON-OFF System (High Power LED) | <input type="checkbox"/> Side Overhang Past Rafter (max. 100 cm per side) Type..... (I / II / III / IV / V / VI)
Left Overhangcm. Right Overhangcm. |
| <input type="checkbox"/> Lighting Dimmer System | <input type="checkbox"/> Storm Channel for Joining Systems & Double Rafter Wall Bracket Kit (for multiple systems) |
| <input type="checkbox"/> Aerofoil Louvre (Line).....pc | |
| <input type="checkbox"/> Additional Railpc | |

PACKAGING REQUIRMENTS

- Only Bubble Wrap (Standart Packing) Bubble Wrap & Hard Cardboard**

ADDITIONAL NOTES & DRAWINGS ATTACHED

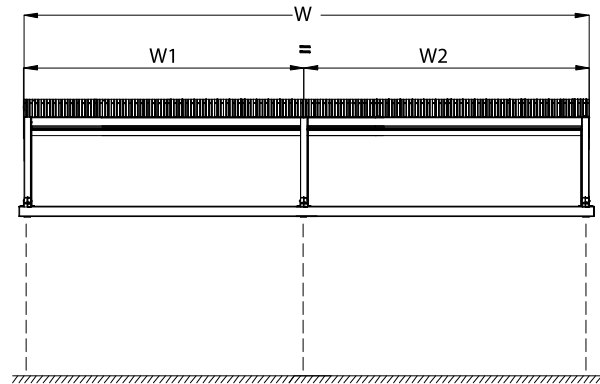
*** Extra cost charge



(max. 1000 cm)

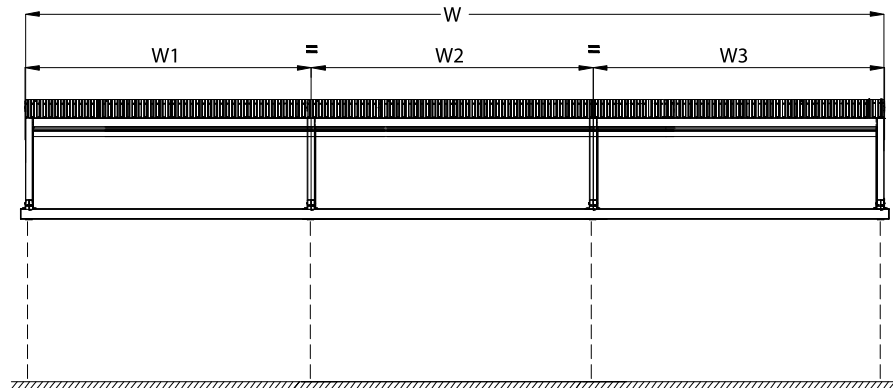
One Module

135 cm > 450 cm



Two Modules

450 cm > 900 cm



Three Modules

900 cm > 1300 cm

Order Name / No:

Order Date:

Company Name :

Quantity :

DIMENSIONS

W - Total Width cm
 P1 - Projection 1 cm
 P2 Projection 2 cm
 C - Top Height cm
 Z - Hang Height cm
 H 1- Front Height 1 cm
 H 2- Front Height 2 cm

If modules are multiple and each module is in different width, please provide details (max. width for single modules is 450 cm, double modules 900 cm, triple modules 1300 cm)

W1..... cm
 W2..... cm
 W3..... cm

POWDERCOAT COLORS

Standart Colors

Ral Colors

Exclusive Colors

- | | | |
|---|---|---|
| <input type="checkbox"/> Anthracite ON617 | <input type="checkbox"/> RAL 9005 | <input type="checkbox"/> Anthracite ON611 |
| <input type="checkbox"/> Anthracite OGN35 | <input type="checkbox"/> RAL 9016 | <input type="checkbox"/> RAL 8019 ST |
| | <input type="checkbox"/> RAL 1013 | <input type="checkbox"/> RAL 9010 ST |
| | <input type="checkbox"/> RAL 9006 | <input type="checkbox"/> RAL 1013 ST |
| | <input type="checkbox"/> RAL 7016 | <input type="checkbox"/> RAL 9006 ST |
| | <input type="checkbox"/> Other RAL..... | |

PVC BLACKOUT FABRIC

Basic

Exclusive

- | | | |
|--|---|-------------------------------------|
| <input type="checkbox"/> prg 121 / White | <input type="checkbox"/> prg 221 / White 3D | <input type="checkbox"/> Other..... |
| <input type="checkbox"/> prg 111 / Cream | <input type="checkbox"/> prg 211 / Cream 3D | |
| | <input type="checkbox"/> prg 241 / Grey 3D | |

OPTIONALS

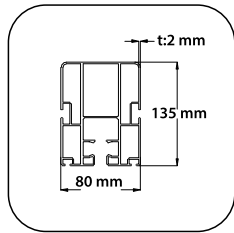
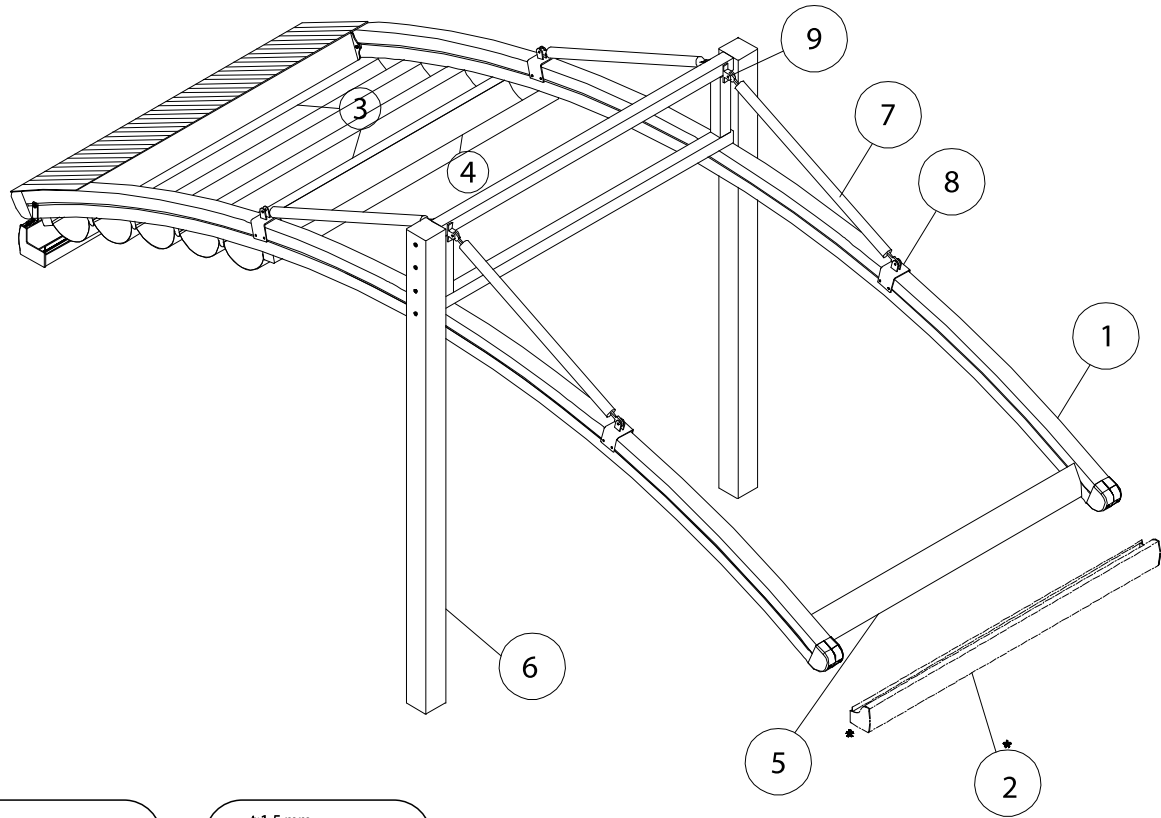
- | | |
|--|--|
| <input type="checkbox"/> Lighting ON-OFF System (High Power LED) | <input type="checkbox"/> Side Overhang Past Rafter (max. 100 cm per side) Type..... (I / II / III / IV / V / VI)
Left Overhangcm. Right Overhangcm. |
| <input type="checkbox"/> Lighting Dimmer System | <input type="checkbox"/> Storm Channel for Joining Systems & Double Rafter Wall Bracket Kit (for multiple systems) |
| <input type="checkbox"/> Aerofoil Louvre (Line).....pc | |
| <input type="checkbox"/> Additional Railpc | |

PACKAGING REQUIRMENTS

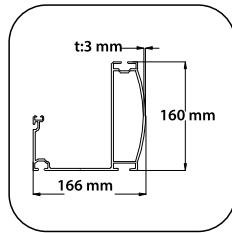
- Only Bubble Wrap (Standart Packing) Bubble Wrap & Hard Cardboard**

ADDITIONAL NOTES & DRAWINGS ATTACHED

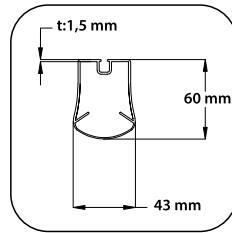
*** Extra cost charge



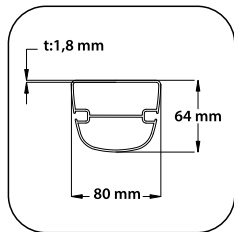
1- Rafter Profile



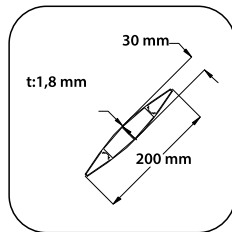
2- Gutter Profile
* Optional



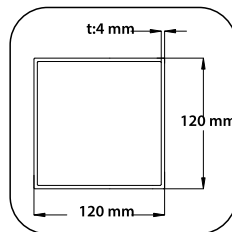
3- Fabric Support Profile



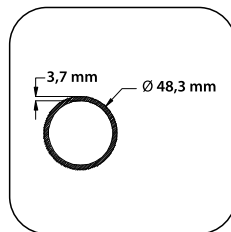
4- Puller Profile



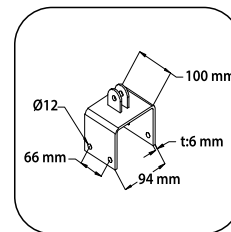
5- Aerofil Louvre Profile



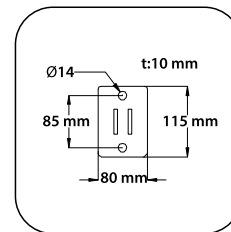
6- Hollow Section Steel Profile



7- Hang Tube Profile



8- Hang Profile



9- Hang Wall Bracket Profile

REMOTE CONTROLLED SYSTEM (WITHOUT LIGHTING)
UZAKTAN KUMANDALI SİSTEM (IŞIKSIZ)
WIDTH / CEPHE (cm)

EXTENSION (cm)	1 MODULE		2 MODULES				3 MODULES	EXTRA RAFTER (pc)
	300	400	500	600	700	800	900	
	300	5.554 €	6.001 €	7.233 €	7.499 €	7.915 €	8.335 €	
400	6.005 €	6.503 €	7.965 €	8.272 €	8.751 €	9.236 €	11.006 €	1.023 €
500	6.457 €	7.006 €	8.697 €	9.044 €	9.588 €	10.137 €	12.134 €	1.103 €
600	6.908 €	7.522 €	9.428 €	9.817 €	10.425 €	11.039 €	13.261 €	1.182 €
700	7.360 €	7.639 €	10.158 €	10.589 €	11.261 €	11.940 €	14.390 €	1.262 €

REMOTE CONTROLLED SYSTEM WITH HIGH POWER LED LIGHTING
UZAKTAN KUMANDALI SİSTEM (IŞIKLI)
WIDTH / CEPHE (cm)

EXTENSION (cm)	1 MODULE		2 MODULES				3 MODULES	EXTRA RAFTER (pc)
	300	400	500	600	700	800	900	
	300	6.090 €	6.583 €	7.950 €	8.247 €	8.705 €	9.169 €	
400	6.647 €	7.205 €	8.820 €	9.169 €	9.707 €	10.250 €	12.076 €	1.023 €
500	7.204 €	7.825 €	9.691 €	10.088 €	10.706 €	11.329 €	13.398 €	1.103 €
600	7.787 €	8.489 €	10.588 €	11.038 €	11.734 €	12.438 €	14.747 €	1.182 €
700	8.342 €	8.724 €	11.456 €	11.959 €	12.734 €	13.519 €	16.070 €	1.262 €

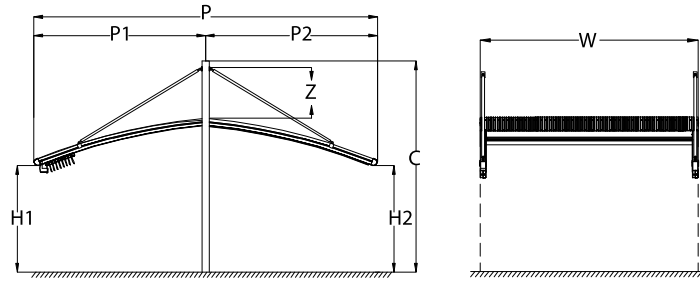
OPTIONAL	300	400	500	600	700	800	900	
	GUTTER	364 €	448 €	570 €	656 €	740 €	826 €	910 €
	ADDITIONAL AEROFIL LOUVRE (LINE)	94 €	117 €	188 €	188 €	211 €	233 €	256 €
EXTRA CHARGE FOR INOX HANGS 800	656 €		984 €				1.312 €	

DIMMER (REMOTE CONTROL)	1340 €
--	--------

* Prices are based on ex-works.

* The standart production color is ON617 & OGN35.

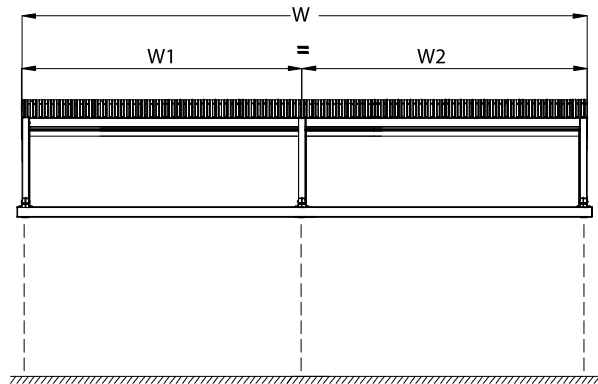
* Extra charge for other colors shall be calculated as %6 based on system price without lighting + optional profiles .



(max. 700 cm)

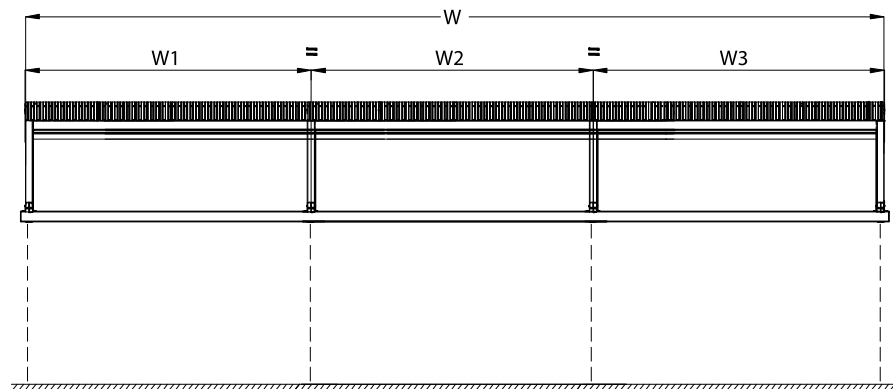
One Module

135 cm > 400 cm



Two Modules

400 cm > 800 cm



Three Modules

800 cm > 900 cm

Order Name / No :

Order Date :

Company Name :

Quantity :

DIMENSIONS

W - Total Width cm
 P1 - Projection 1 cm
 P2 - Projection 2 cm
 C - Top Height cm
 Z - Hang Height cm
 H 1 - Front Height 1 cm
 H 2 - Front Height 2 cm

If modules are multiple and each module is in different width, please provide details (max. width for single modules is 400 cm, double modules 800 cm, triple modules 900 cm)

W1..... cm
 W2..... cm
 W3..... cm

POWDERCOAT COLORS

Standart Colors

Ral Colors

Exclusive Colors

- | | | |
|---|---|---|
| <input type="checkbox"/> Anthracite ON617 | <input type="checkbox"/> RAL 9005 | <input type="checkbox"/> Anthracite ON611 |
| <input type="checkbox"/> Anthracite OGN35 | <input type="checkbox"/> RAL 9016 | <input type="checkbox"/> RAL 8019 ST |
| | <input type="checkbox"/> RAL 1013 | <input type="checkbox"/> RAL 9010 ST |
| | <input type="checkbox"/> RAL 9006 | <input type="checkbox"/> RAL 1013 ST |
| | <input type="checkbox"/> RAL 7016 | <input type="checkbox"/> RAL 9006 ST |
| | <input type="checkbox"/> Other RAL..... | |

PVC BLACKOUT FABRIC

Basic

Exclusive

- | | | |
|--|---|-------------------------------------|
| <input type="checkbox"/> prg 121 / White | <input type="checkbox"/> prg 221 / White 3D | <input type="checkbox"/> Other..... |
| <input type="checkbox"/> prg 111 / Cream | <input type="checkbox"/> prg 211 / Cream 3D | |
| | <input type="checkbox"/> prg 241 / Grey 3D | |

OPTIONALS

- | | |
|--|--|
| <input type="checkbox"/> Lighting ON-OFF System (High Power LED) | <input type="checkbox"/> Side Overhang Past Rafter (max. 100 cm per side) Type..... (I / II / III / IV / V / VI)
Left Overhangcm. Right Overhangcm. |
| <input type="checkbox"/> Lighting Dimmer System | |
| <input type="checkbox"/> Aerofoil Louvre (Line).....pc | |
| <input type="checkbox"/> Additional Railpc | |

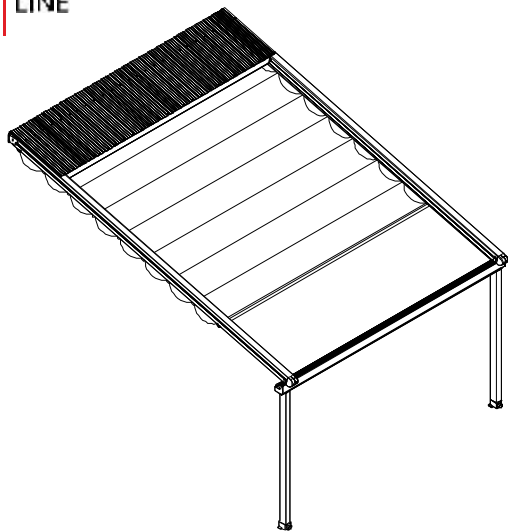
PACKAGING REQUIRMENTS

- Only Bubble Wrap (Standart Packing) Bubble Wrap & Hard Cardboard**

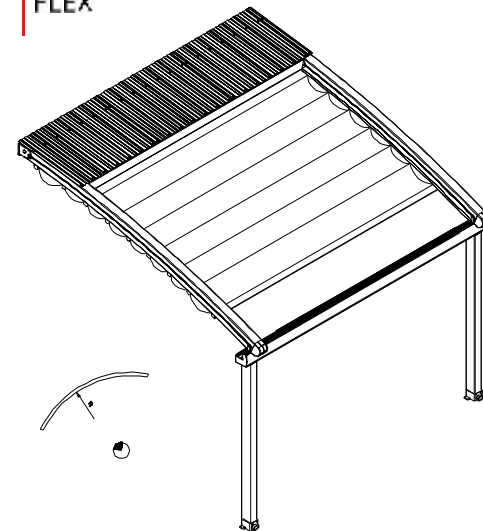
ADDITIONAL NOTES & DRAWINGS ATTACHED

*** Extra cost charge

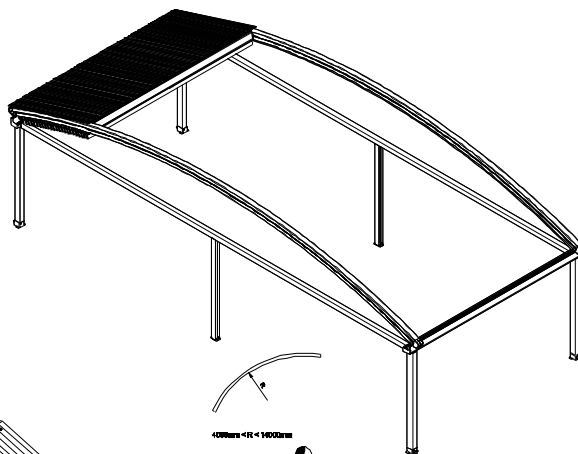
LINE



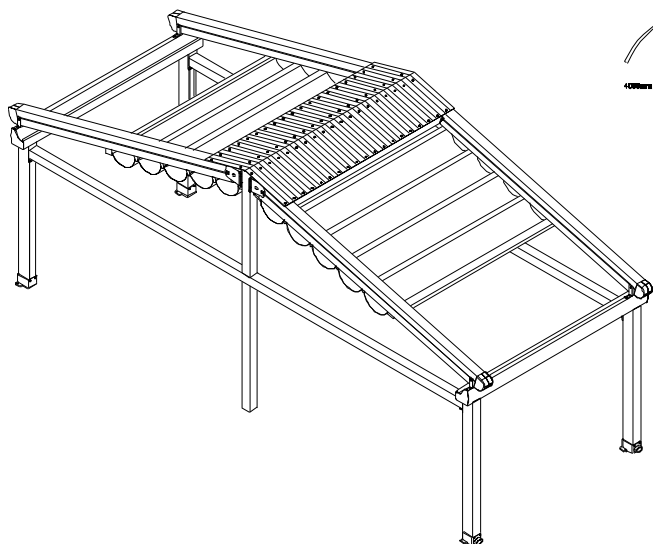
FLEX



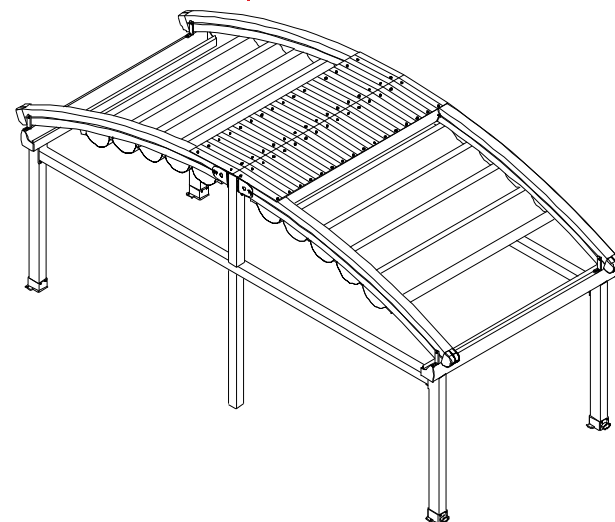
BEND



POLYLINE

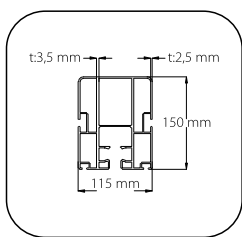
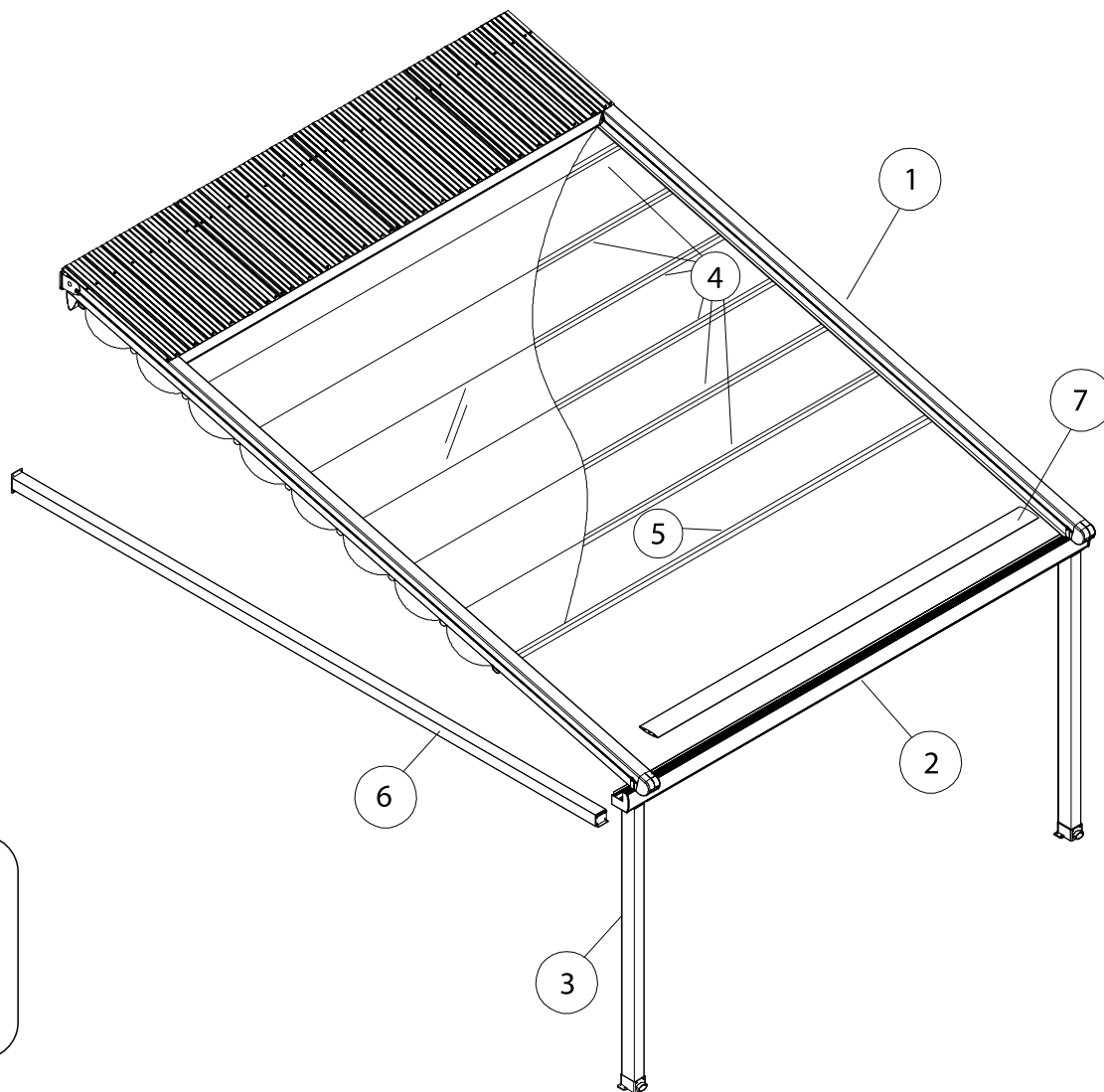


POLYFLEX

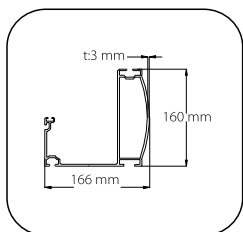


150 Series

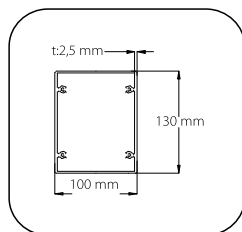
index		
	Line 150	45-48
	Flex 150	49-52
	Bend 150	53-56
	Polyline 150	57-60
	Polyflex 150	61-64
	Rev 150	65-68
	Rev/1 150	69-72
	Polyrev 150	73-76
	Polyrev/1 150	77-80
	Polyrev/2 150	81-84



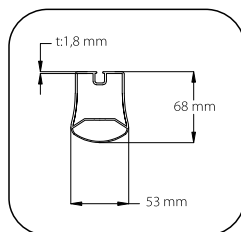
1- Rafter Profile



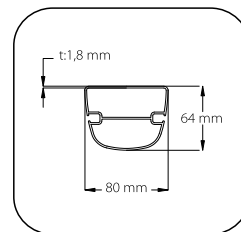
2- Gutter Profile



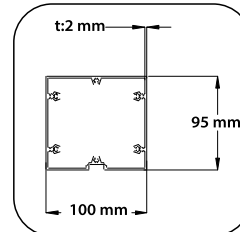
3- Front Column Profile



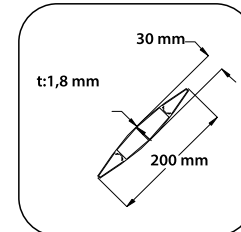
4- Fabric Support Profile



5- Puller Profile



6- Side Rafter Profile



7- Aerofil Louvre Profile

REMOTE CONTROLLED SYSTEM (WITHOUT LIGHTING)

UZAKTAN KUMANDALI SİSTEM (IŞIKSIZ)

WIDTH / CEPHE (cm)

EXTENSION (cm)	1 MODULE			2 MODULES					3 MODULES				EXTRA RAFTER (pc)
	300	400	450	500	600	700	800	900	1000	1100	1200	1300	
	300	3.269 €	3.622 €	3.800 €	4.623 €	4.832 €	5.177 €	5.525 €	5.880 €	6.786 €	7.200 €	7.544 €	
400	3.676 €	4.097 €	4.303 €	5.275 €	5.535 €	5.945 €	6.360 €	6.779 €	7.855 €	8.348 €	8.768 €	9.069 €	806 €
500	4.084 €	4.570 €	4.809 €	5.947 €	6.238 €	6.713 €	7.194 €	7.677 €	8.923 €	9.495 €	9.991 €	10.332 €	926 €
600	4.492 €	5.044 €	5.315 €	6.609 €	6.940 €	7.481 €	8.029 €	8.577 €	9.992 €	10.643 €	11.215 €	11.595 €	991 €
700	4.899 €	5.518 €	5.822 €	7.271 €	7.642 €	8.249 €	8.863 €	9.476 €	11.061 €	11.791 €	12.438 €	12.858 €	1.083 €
800	5.306 €	5.992 €	6.329 €	7.933 €	8.345 €	9.017 €	9.698 €	10.374 €	12.853 €	13.661 €	14.384 €	14.844 €	1.175 €
900	5.713 €	6.467 €	6.836 €	8.595 €	9.047 €	9.784 €	10.532 €	11.273 €	13.920 €	14.809 €	15.608 €	16.108 €	1.283 €

REMOTE CONTROLLED SYSTEM WITH HIGH POWER LED LIGHTING

UZAKTAN KUMANDALI SİSTEM (IŞIKLI)

WIDTH / CEPHE (cm)

EXTENSION (cm)	1 MODULE			2 MODULES					3 MODULES				EXTRA RAFTER (pc)
	300	400	450	500	600	700	800	900	1000	1100	1200	1300	
	300	3.872 €	4.276 €	4.476 €	5.428 €	5.672 €	6.066 €	6.462 €	6.863 €	7.919 €	8.389 €	8.764 €	
400	4.398 €	4.884 €	5.122 €	6.237 €	6.543 €	7.018 €	7.499 €	7.981 €	9.224 €	9.795 €	10.256 €	10.632 €	806 €
500	4.923 €	5.490 €	5.770 €	7.063 €	7.411 €	7.969 €	8.534 €	9.098 €	10.529 €	11.201 €	11.749 €	12.185 €	926 €
600	5.479 €	6.130 €	6.452 €	7.913 €	8.312 €	8.953 €	9.601 €	10.246 €	11.867 €	12.637 €	13.273 €	13.768 €	991 €
700	6.001 €	6.738 €	7.100 €	8.729 €	9.181 €	9.904 €	10.637 €	11.363 €	13.173 €	14.043 €	14.765 €	15.320 €	1.083 €
800	6.525 €	7.345 €	7.748 €	9.546 €	10.052 €	10.856 €	11.672 €	12.479 €	15.202 €	16.170 €	16.979 €	17.592 €	1.175 €
900	7.049 €	7.953 €	8.397 €	10.364 €	10.921 €	11.808 €	12.707 €	13.596 €	16.508 €	17.576 €	18.471 €	19.145 €	1.283 €

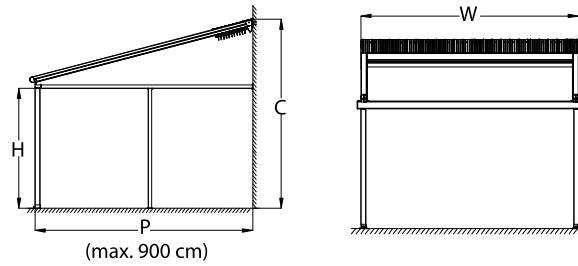
OPTIONAL	300	400	450	500	600	700	800	900	1000	1100	1200	1300	
	AEROFIL LOUVRE (LINE)	94 €	117 €	128 €	128 €	188 €	188 €	211 €	233 €	256 €	316 €	350 €	350 €
	STEEL BEAM 60x120x3 mm	135 €	180 €	203 €	225 €	270 €	315 €	360 €	405 €	450 €	495 €	540 €	585 €
STEEL CONST.WITH COLUMNS	1.100 €	1.200 €	1.250 €	1.300 €	1.400 €	1.500 €	2.000 €	2.100 €	2.200 €	2.300 €	2.400 €	2.500 €	

STEEL CONSTR. EXTRA COLUMN	SIDE RAFTER /mt	SIDE RAFTER SUPPORT COLUMN 3,00 mt	SIDE RAFTER SUPPORT COLUMN 4,50 mt	EXTRA FRONT COLUMN 3,00 mt	EXTRA FRONT COLUMN 4,50 mt	DIMMER (REMOTE CONTROL)
400 €	35 €	137 €	190 €	153 €	206 €	670 €

* Prices are based on ex-works.

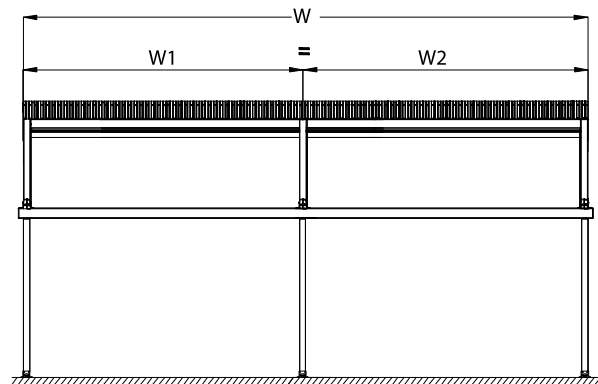
* The standart production color is ON617 & OGN35.

* Extra charge for other colors shall be calculated as %6 based on system price without lighting + optional profiles .



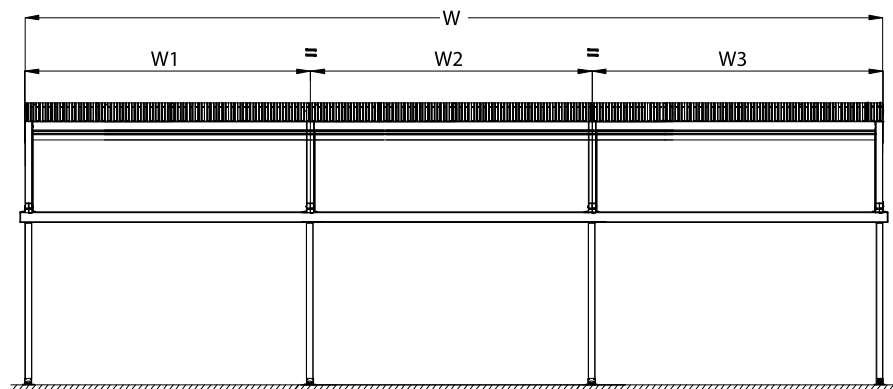
One Module

135 cm > 450 cm



Two Modules

450 cm > 900 cm



Three Modules

900 cm > 1300 cm

Order Name / No :

Order Date :

Company Name :

Quantity :

DIMENSIONS

W - Total Width cm

P - Projection cm

C - Wall / Back Height cm

H - Front / Post Height cm

Total Number of Post required (Maximum span between posts with gutter profile is 600 cm)

If modules are multiple and each module is in different width, please provide details (max. width for single modules is 450 cm, double modules 900 cm, triple modules 1300 cm)

W1..... cm

W2..... cm

W3..... cm

POWDERCOAT COLORS

Standart Colors

Ral Colors

Exclusive Colors

Anthracite ON617

RAL 9005

Anthracite ON611

Anthracite OGN35

RAL 9016

RAL 8019 ST

RAL 1013

RAL 9010 ST

RAL 9006

RAL 1013 ST

RAL 7016

RAL 9006 ST

Other RAL.....

PVC BLACKOUT FABRIC

Basic

Exclusive

prg 121 / White

prg 221 / White 3D

Other.....

prg 111 / Cream

prg 211 / Cream 3D

prg 241 / Grey 3D

OPTIONALS

Lighting ON-OFF System (High Power LED)

Lighting Dimmer System

Aerofoil Louvre (Line).....pc

Side Raftercm
Quantity.....pc

Support Post of Side Raftercm
Quantity.....pc

Additional Railpc

Supporting Steel Structure With Post

Wall Installation Steel Beam

Additional Post of Supporting Steel Structurepc

Side Overhang Past Rafter (max. 100 cm per side) Type..... (I / II / III / IV / V / VI)
Left Overhangcm. Right Overhangcm.

Storm Channel for Joining Systems & Double Rafter Wall Bracket Kit (for multiple systems)

INSTALLATION BRACKET

Wall Bracket

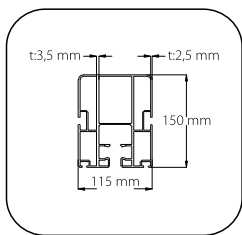
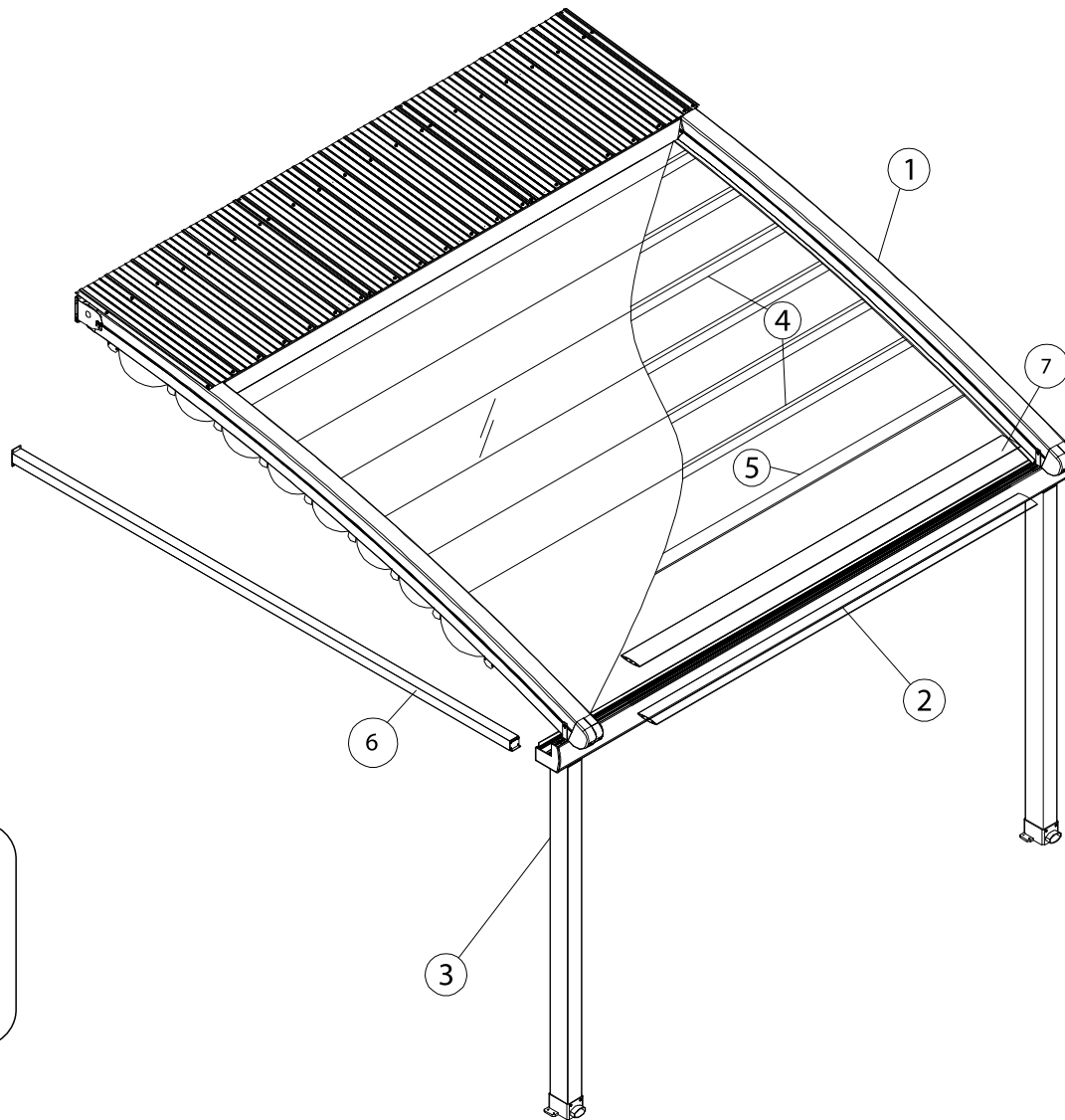
Ceiling Bracket

PACKAGING REQUIRMENTS

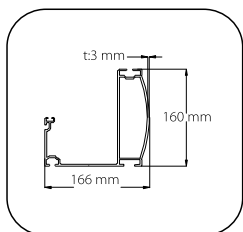
Only Bubble Wrap (Standart Packing) Bubble Wrap & Hard Cardboard**

ADDITIONAL NOTES & DRAWINGS ATTACHED

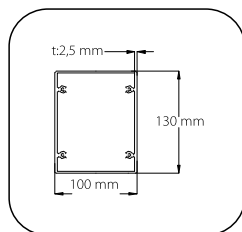
*** Extra cost charge



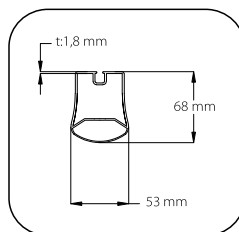
1- Rafter Profile



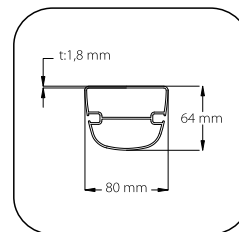
2- Gutter Profile



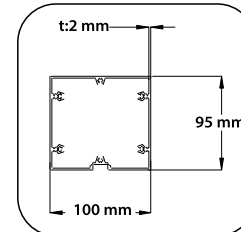
3- Front Column Profile



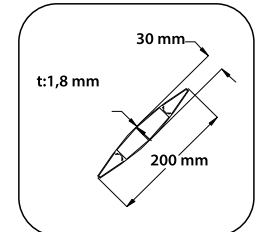
4- Fabric Support Profile



5- Puller Profile



6- Side Rafter Profile



7- Aerofil Louvre Profile

REMOTE CONTROLLED SYSTEM (WITHOUT LIGHTING)
UZAKTAN KUMANDALI SİSTEM (IŞIKSIZ)
WIDTH / CEPHE (cm)

EXTENSION (cm)	1 MODULE			2 MODULES					3 MODULES				EXTRA RAFTER (pc)
	300	400	450	500	600	700	800	900	1000	1100	1200	1300	
	300	4.419 €	4.802 €	4.990 €	6.068 €	6.293 €	6.666 €	7.043 €	7.425 €	8.888 €	9.340 €	9.717 €	
400	4.922 €	5.376 €	5.598 €	6.873 €	7.143 €	7.587 €	8.035 €	8.487 €	10.162 €	10.698 €	11.155 €	11.481 €	1.008 €
500	5.424 €	5.950 €	6.207 €	7.678 €	7.995 €	8.508 €	9.028 €	9.549 €	11.436 €	12.056 €	12.595 €	12.964 €	1.120 €
600	5.927 €	6.524 €	6.816 €	8.484 €	8.845 €	9.429 €	10.021 €	10.610 €	12.710 €	13.414 €	14.034 €	14.447 €	1.233 €
700	6.429 €	7.097 €	7.425 €	9.288 €	9.696 €	10.350 €	11.013 €	11.673 €	13.984 €	14.772 €	15.472 €	15.930 €	1.345 €
800	6.932 €	7.672 €	8.035 €	10.094 €	10.547 €	11.270 €	12.005 €	12.734 €	15.258 €	16.130 €	16.911 €	17.413 €	1.456 €
900	7.704 €	8.641 €	9.052 €	11.325 €	11.825 €	12.641 €	13.469 €	14.289 €	16.742 €	17.726 €	18.587 €	19.162 €	1.583 €
1000	8.306 €	9.215 €	9.660 €	12.129 €	12.675 €	13.562 €	14.461 €	15.351 €	18.017 €	19.083 €	20.026 €	20.645 €	1.694 €
1100	8.808 €	9.788 €	10.269 €	12.936 €	13.526 €	14.483 €	15.454 €	16.413 €	19.290 €	20.441 €	21.464 €	22.129 €	1.806 €

REMOTE CONTROLLED SYSTEM WITH HIGH POWER LED LIGHTING
UZAKTAN KUMANDALI SİSTEM (IŞIKLI)
WIDTH / CEPHE (cm)

EXTENSION (cm)	1 MODULE			2 MODULES					3 MODULES				EXTRA RAFTER (pc)
	300	400	450	500	600	700	800	900	1000	1100	1200	1300	
	300	5.023 €	5.455 €	5.666 €	6.874 €	7.132 €	7.554 €	7.980 €	8.409 €	10.021 €	10.529 €	10.938 €	
400	5.644 €	6.163 €	6.418 €	7.834 €	8.151 €	8.661 €	9.174 €	9.690 €	11.531 €	12.145 €	12.644 €	13.045 €	1.008 €
500	6.263 €	6.870 €	7.168 €	8.795 €	9.168 €	9.764 €	10.367 €	10.969 €	13.043 €	13.761 €	14.353 €	14.817 €	1.120 €
600	6.914 €	7.610 €	7.952 €	9.787 €	10.217 €	10.900 €	11.593 €	12.280 €	14.585 €	15.408 €	16.092 €	16.620 €	1.233 €
700	7.532 €	8.317 €	8.703 €	10.747 €	11.235 €	12.005 €	12.787 €	13.560 €	16.096 €	17.024 €	17.799 €	18.392 €	1.345 €
800	8.151 €	9.024 €	9.454 €	11.707 €	12.254 €	13.109 €	13.979 €	14.838 €	17.607 €	18.639 €	19.505 €	20.162 €	1.456 €
900	9.040 €	10.127 €	10.612 €	13.094 €	13.698 €	14.665 €	15.644 €	16.612 €	19.330 €	20.493 €	21.449 €	22.200 €	1.583 €
1000	9.758 €	10.835 €	11.363 €	14.052 €	14.715 €	15.769 €	16.837 €	17.891 €	20.841 €	22.088 €	23.157 €	23.970 €	1.694 €
1100	10.260 €	11.408 €	11.972 €	14.859 €	15.566 €	16.690 €	17.830 €	18.953 €	22.115 €	23.446 €	24.595 €	25.453 €	1.806 €

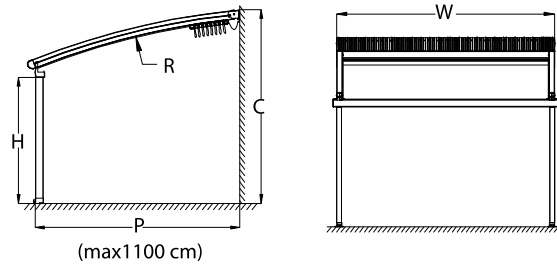
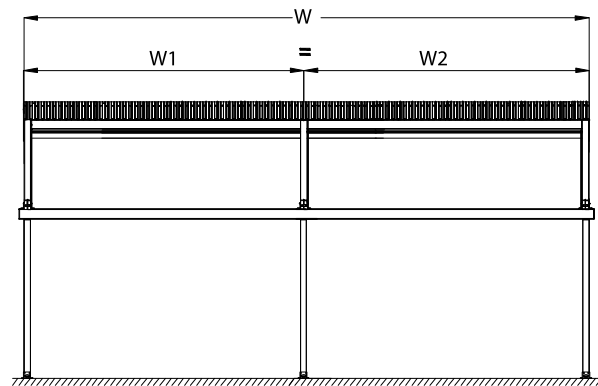
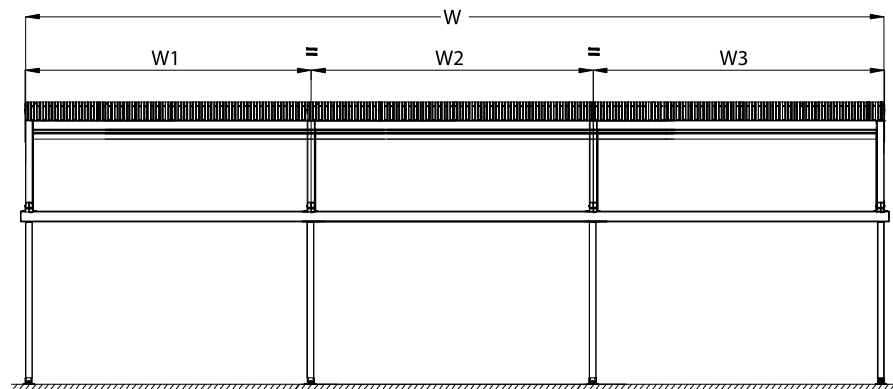
OPTIONAL	300	400	450	500	600	700	800	900	1000	1100	1200	1300	
	AEROFIL LOUVRE (LINE)	94 €	117 €	128 €	128 €	188 €	188 €	211 €	233 €	256 €	316 €	350 €	350 €
	STEEL BEAM 60x120x3 mm	135 €	180 €	203 €	225 €	270 €	315 €	360 €	405 €	450 €	495 €	540 €	585 €
STEEL CONST.WITH COLUMNS	1.100 €	1.200 €	1.250 €	1.300 €	1.400 €	1.500 €	2.000 €	2.100 €	2.200 €	2.300 €	2.400 €	2.500 €	

STEEL CONST. EXTRA COLUMN	SIDE RAFTER /mt	SIDE RAFTER SUPPORT COLUMN 3,00 mt	SIDE RAFTER SUPPORT COLUMN 4,50 mt	EXTRA FRONT COLUMN 3,00 mt	EXTRA FRONT COLUMN 4,50 mt	DIMMER (REMOTE CONTROL)
400 €	35 €	137 €	190 €	153 €	206 €	670 €

* Prices are based on ex-works.

* The standart production color is ON617 & OGN35.

* Extra charge for other colors shall be calculated as %6 based on system price without lighting + optional profiles .


One Module
135 cm > 450 cm

Two Modules
450 cm > 900 cm

Three Modules
900 cm > 1300 cm

Order Name / No:

Order Date:

Company Name :

Quantity :

DIMENSIONS

W - Total Width cm

P - Projection cm

C - Wall / Back Height cm

H - Front / Post Height cm

Total Number of Post required (Maximum span between posts with gutter profile is 600 cm)

If modules are multiple and each module is in different width, please provide details (max. width for single modules is 450 cm, double modules 900 cm, triple modules 1300 cm)

W1..... cm

W2..... cm

W3..... cm

POWDERCOAT COLORS

Standart Colors

Ral Colors

Exclusive Colors

Anthracite ON617

RAL 9005

Anthracite ON611

Anthracite OGN35

RAL 9016

RAL 8019 ST

RAL 1013

RAL 9010 ST

RAL 9006

RAL 1013 ST

RAL 7016

RAL 9006 ST

Other RAL.....

PVC BLACKOUT FABRIC

Basic

Exclusive

prg 121 / White

prg 221 / White 3D

Other.....

prg 111 / Cream

prg 211 / Cream 3D

prg 241 / Grey 3D

OPTIONALS

Lighting ON-OFF System (High Power LED)

Lighting Dimmer System

Aerofoil Louvre (Line).....pc

Side Raftercm
Quantity.....pc

Support Post of Side Raftercm
Quantity.....pc

Additional Railpc

Supporting Steel Structure With Post

Wall Installation Steel Beam

Additional Post of Supporting Steel Structurepc

Side Overhang Past Rafter (max. 100 cm per side) Type..... (I / II / III / IV / V / VI)
Left Overhangcm. Right Overhangcm.

Storm Channel for Joining Systems & Double Rafter Wall Bracket Kit (for multiple systems)

INSTALLATION BRACKET

Wall Bracket

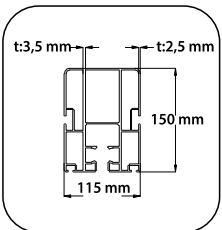
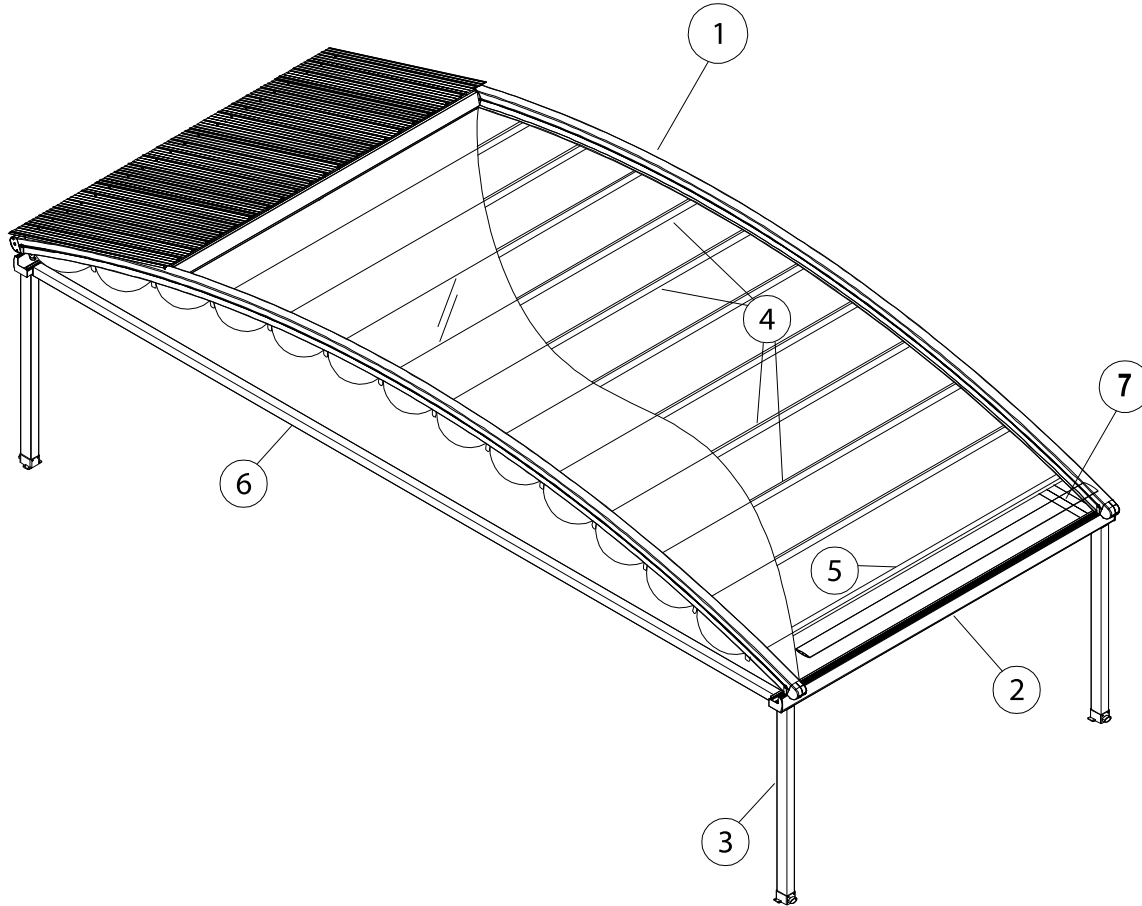
Ceiling Bracket

PACKAGING REQUIRMENTS

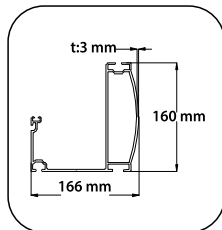
Only Bubble Wrap (Standart Packing) Bubble Wrap & Hard Cardboard**

ADDITIONAL NOTES & DRAWINGS ATTACHED

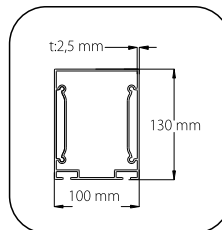
*** Extra cost charge



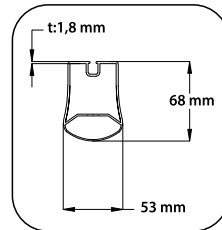
1- Rafter Profile



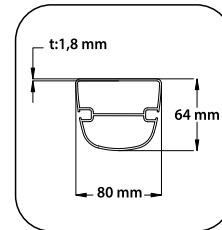
2- Gutter Profile



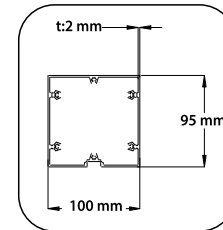
3- Front Column Profile



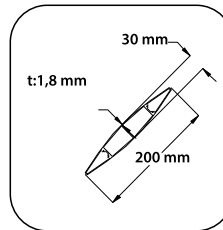
4- Fabric Support Profile



5- Puller Profile



6- Side Rafter Profile



7- Aerofil Louvre Profile

REMOTE CONTROLLED SYSTEM (WITHOUT LIGHTING)
UZAKTAN KUMANDALI SİSTEM (IŞIKSIZ)
WIDTH / CEPHE (cm)

EXTENSION (cm)	1 MODULE		2 MODULES				3 MODULES				4 MODULES	EXTRA RAFTER (pc)
	300	400	500	600	700	800	900	1000	1100	1200	1300	
	300	5.134 €	5.617 €	7.095 €	7.403 €	7.875 €	8.353 €	10.120 €	10.509 €	11.070 €	11.525 €	
400	5.693 €	6.248 €	7.957 €	8.309 €	8.852 €	9.401 €	11.405 €	11.838 €	12.482 €	13.020 €	14.430 €	1.008 €
500	6.251 €	6.878 €	8.817 €	9.215 €	9.828 €	10.449 €	12.690 €	13.167 €	13.895 €	14.514 €	16.104 €	1.120 €
600	6.810 €	7.463 €	9.678 €	10.121 €	10.805 €	11.496 €	13.974 €	14.496 €	15.308 €	16.008 €	17.777 €	1.233 €
700	7.369 €	8.138 €	10.539 €	11.028 €	11.782 €	12.545 €	15.259 €	15.825 €	16.721 €	17.502 €	19.452 €	1.345 €
800	8.083 €	8.924 €	11.554 €	12.088 €	12.913 €	13.747 €	16.697 €	17.307 €	18.286 €	19.148 €	21.276 €	1.456 €
900	9.014 €	9.952 €	12.844 €	13.425 €	14.342 €	15.269 €	18.163 €	18.846 €	19.937 €	20.879 €	23.228 €	1.583 €
1000	9.572 €	10.582 €	13.704 €	14.332 €	15.318 €	16.318 €	19.448 €	20.175 €	21.350 €	22.373 €	24.902 €	1.694 €
1100	10.171 €	11.213 €	14.566 €	15.238 €	16.295 €	17.366 €	20.732 €	21.504 €	22.763 €	23.867 €	26.576 €	1.806 €

REMOTE CONTROLLED SYSTEM WITH HIGH POWER LED LIGHTING
UZAKTAN KUMANDALI SİSTEM (IŞIKLI)
WIDTH / CEPHE (cm)

EXTENSION (cm)	1 MODULE		2 MODULES				3 MODULES				4 MODULES	EXTRA RAFTER (pc)
	300	400	500	600	700	800	900	1000	1100	1200	1300	
	300	5.737 €	6.271 €	7.901 €	8.243 €	8.764 €	9.289 €	11.103 €	11.641 €	12.258 €	12.745 €	
400	6.415 €	7.035 €	8.918 €	9.317 €	9.926 €	10.540 €	12.608 €	13.207 €	13.929 €	14.509 €	15.993 €	1.008 €
500	7.090 €	7.798 €	9.933 €	10.388 €	11.084 €	11.788 €	14.110 €	14.773 €	15.601 €	16.272 €	17.957 €	1.120 €
600	7.797 €	8.548 €	10.981 €	11.493 €	12.277 €	13.069 €	15.643 €	16.371 €	17.302 €	18.066 €	19.950 €	1.233 €
700	8.472 €	9.358 €	11.997 €	12.567 €	13.436 €	14.319 €	17.147 €	17.936 €	18.972 €	19.828 €	21.913 €	1.345 €
800	9.302 €	10.277 €	13.167 €	13.795 €	14.753 €	15.722 €	18.801 €	19.656 €	20.795 €	21.742 €	24.025 €	1.456 €
900	10.350 €	11.439 €	14.613 €	15.298 €	16.366 €	17.444 €	20.486 €	21.434 €	22.705 €	23.742 €	26.265 €	1.583 €
1000	11.024 €	12.202 €	15.627 €	16.371 €	17.525 €	18.694 €	21.988 €	22.999 €	24.355 €	25.504 €	28.226 €	1.694 €
1100	11.623 €	12.832 €	16.489 €	17.278 €	18.502 €	19.742 €	23.272 €	24.328 €	25.768 €	26.998 €	29.900 €	1.806 €

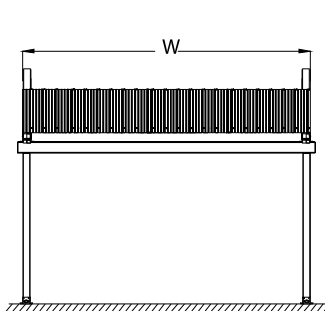
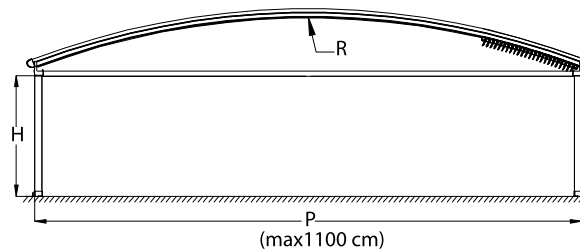
OPTIONAL	300	400	500	600	700	800	900	1000	1100	1200	1300
	AEROFIL LOUVRE (LINE)	94 €	117 €	128 €	188 €	188 €	211 €	233 €	256 €	316 €	350 €

SIDE RAFTER /mt	SIDE RAFTER SUPPORT COLUMN 3,00 mt	SIDE RAFTER SUPPORT COLUMN 4,50 mt	EXTRA FRONT COLUMN 3,00 mt	EXTRA FRONT COLUMN 4,50 mt	DIMMER (REMOTE CONTROL)
35 €	137 €	190 €	153 €	206 €	670 €

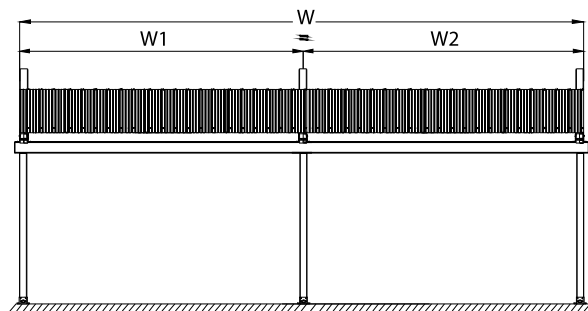
* Prices are based on ex-works.

* The standart production color is ON617 & OGN35.

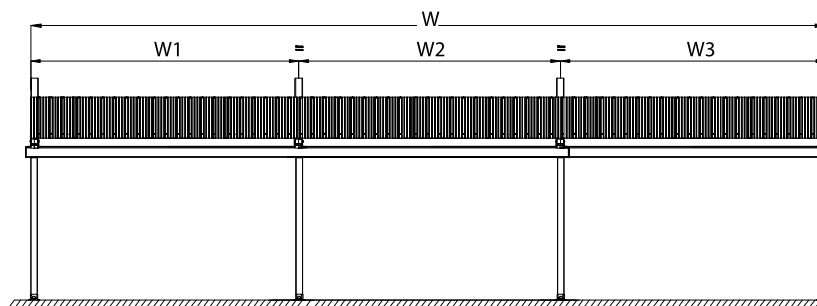
* Extra charge for other colors shall be calculated as %6 based on system price without lighting + optional profiles .


One Module

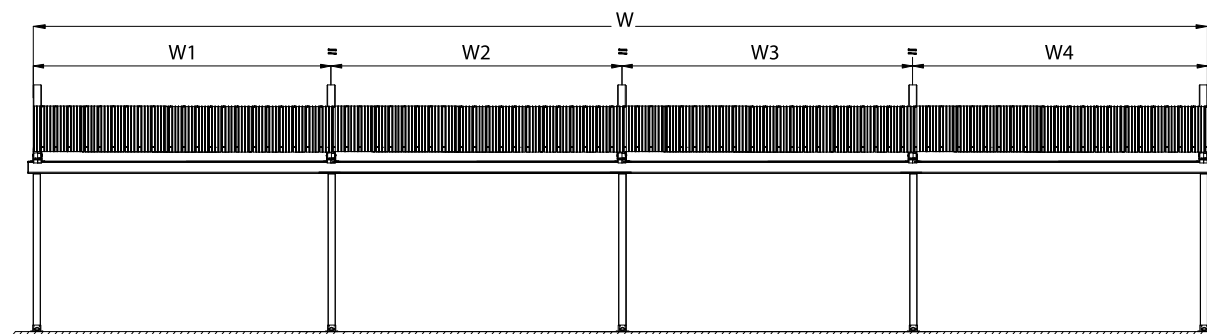
135 cm > 400 cm


Two Modules

400 cm > 800 cm


Three Modules

800 cm > 1200 cm


Four Modules

1200 cm > 1300 cm

Order Name / No:

Order Date:

Company Name :

Quantity :

DIMENSIONS

W - Total Width cm
 P - Projection cm
 H - Front / Post Height cm
 Total Number of Post required (Maximum span between posts with gutter profile is 600 cm)

If modules are multiple and each module is in different width, please provide details (max. width for single modules is 400 cm, double modules 800 cm, triple modules 1200 cm, four modules 1300 cm)

W1..... cm
 W2..... cm
 W3..... cm
 W4..... cm

POWDERCOAT COLORS

Standart Colors

Ral Colors

Exclusive Colors

- | | | |
|---|---|---|
| <input type="checkbox"/> Anthracite ON617 | <input type="checkbox"/> RAL 9005 | <input type="checkbox"/> Anthracite ON611 |
| <input type="checkbox"/> Anthracite OGN35 | <input type="checkbox"/> RAL 9016 | <input type="checkbox"/> RAL 8019 ST |
| | <input type="checkbox"/> RAL 1013 | <input type="checkbox"/> RAL 9010 ST |
| | <input type="checkbox"/> RAL 9006 | <input type="checkbox"/> RAL 1013 ST |
| | <input type="checkbox"/> RAL 7016 | <input type="checkbox"/> RAL 9006 ST |
| | <input type="checkbox"/> Other RAL..... | |

PVC BLACKOUT FABRIC

Basic

Exclusive

- | | | |
|--|---|-------------------------------------|
| <input type="checkbox"/> prg 121 / White | <input type="checkbox"/> prg 221 / White 3D | <input type="checkbox"/> Other..... |
| <input type="checkbox"/> prg 111 / Cream | <input type="checkbox"/> prg 211 / Cream 3D | |
| | <input type="checkbox"/> prg 241 / Grey 3D | |

OPTIONALS

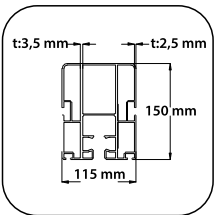
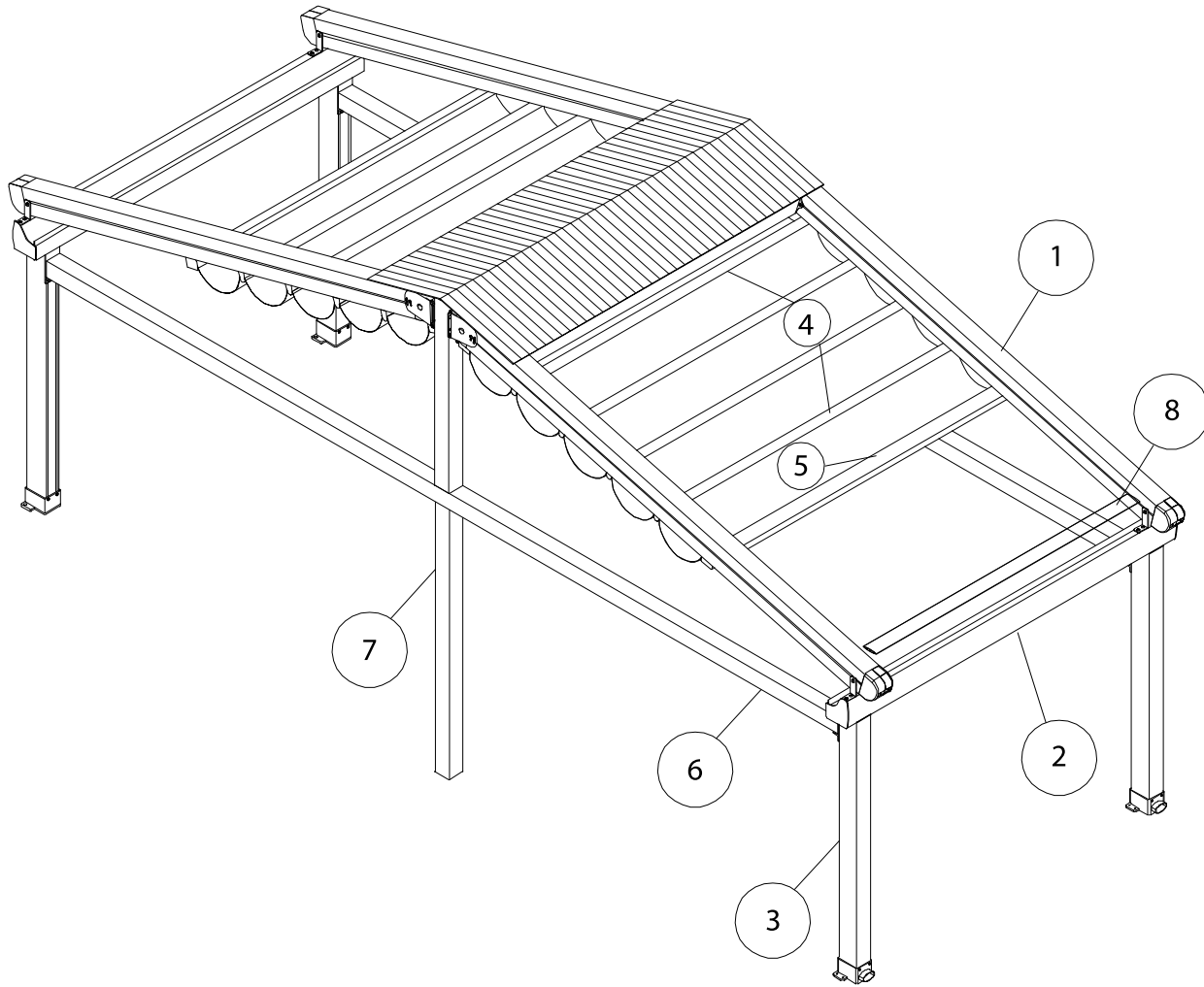
- | | |
|---|--|
| <input type="checkbox"/> Lighting ON-OFF System (High Power LED) | <input type="checkbox"/> Side Overhang Past Rafter (max. 100 cm per side) Type..... (I / II / III / IV / V / VI)
Left Overhangcm. Right Overhangcm. |
| <input type="checkbox"/> Lighting Dimmer System | <input type="checkbox"/> Storm Channel for Joining Systems (for multiple systems) |
| <input type="checkbox"/> Aerofoil Louvre (Line).....pc | |
| <input type="checkbox"/> Side Raftercm
Quantity.....pc | |
| <input type="checkbox"/> Support Post of Side Raftercm
Quantity.....pc | |
| <input type="checkbox"/> Additional Railpc | |

PACKAGING REQUIRMENTS

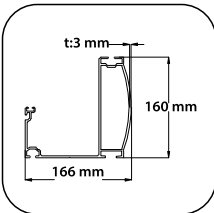
- Only Bubble Wrap (Standart Packing) Bubble Wrap & Hard Cardboard**

ADDITIONAL NOTES & DRAWINGS ATTACHED

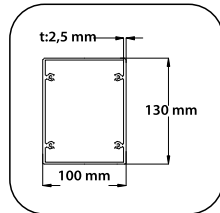
*** Extra cost charge



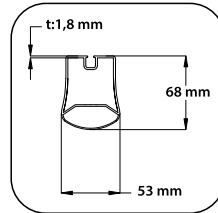
1- Rafter Profile



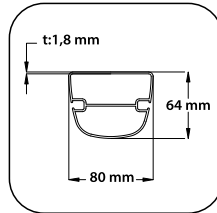
2- Gutter Profile



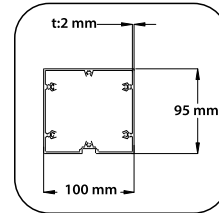
3- Front Column Profile



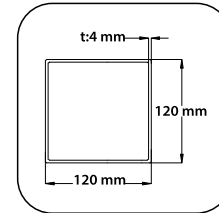
4- Fabric Support Profile



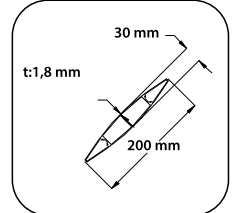
5- Puller Profile



6- Side Rafter Profile



7- Hollow Section Steel Profile



8- Aerofil Louvre Profile

REMOTE CONTROLLED SYSTEM (WITHOUT LIGHTING)

UZAKTAN KUMANDALI SİSTEM (IŞIKSIZ)

WIDTH / CEPHE (cm)

EXTENSION (cm)	1 MODULE			2 MODULES					3 MODULES				EXTRA RAFTER (pc)
	300	400	450	500	600	700	800	900	1000	1100	1200	1300	
	600	7.758 €	8.605 €	9.029 €	10.745 €	11.305 €	12.135 €	13.370 €	14.220 €	16.172 €	17.141 €	17.967 €	
800	8.572 €	9.553 €	10.035 €	12.051 €	12.710 €	13.669 €	15.040 €	16.017 €	18.310 €	19.436 €	20.416 €	21.157 €	1.611 €
1000	9.388 €	10.500 €	11.049 €	13.393 €	14.115 €	15.206 €	16.708 €	17.815 €	20.446 €	21.731 €	22.862 €	23.685 €	1.796 €
1200	10.203 €	11.448 €	12.061 €	14.718 €	15.521 €	16.743 €	18.378 €	19.614 €	22.584 €	24.026 €	25.310 €	26.211 €	1.982 €
1400	11.017 €	12.397 €	13.074 €	16.041 €	16.924 €	18.277 €	20.046 €	21.411 €	24.722 €	26.323 €	27.757 €	28.737 €	2.166 €
1600	11.833 €	13.345 €	14.088 €	17.366 €	18.329 €	19.814 €	21.716 €	23.209 €	28.305 €	30.063 €	31.648 €	32.708 €	2.350 €
1800	12.647 €	14.293 €	15.102 €	18.689 €	19.735 €	21.349 €	23.384 €	25.006 €	30.441 €	32.358 €	34.097 €	35.236 €	2.565 €

REMOTE CONTROLLED SYSTEM WITH HIGH POWER LED LIGHTING

UZAKTAN KUMANDALI SİSTEM (IŞIKLI)

WIDTH / CEPHE (cm)

EXTENSION (cm)	1 MODULE			2 MODULES					3 MODULES				EXTRA RAFTER (pc)
	300	400	450	500	600	700	800	900	1000	1100	1200	1300	
	600	8.964 €	9.912 €	10.382 €	12.357 €	12.984 €	13.911 €	15.244 €	16.187 €	18.437 €	19.518 €	20.409 €	
800	10.016 €	11.128 €	11.675 €	13.973 €	14.726 €	15.816 €	17.319 €	18.423 €	21.048 €	22.329 €	23.393 €	24.284 €	1.611 €
1000	11.065 €	12.341 €	12.970 €	15.626 €	16.462 €	17.718 €	19.387 €	20.655 €	23.659 €	25.141 €	26.377 €	27.390 €	1.796 €
1200	12.177 €	13.620 €	14.333 €	17.325 €	18.264 €	19.686 €	21.523 €	22.952 €	26.335 €	28.014 €	29.426 €	30.556 €	1.982 €
1400	13.223 €	14.836 €	15.630 €	18.958 €	20.002 €	21.587 €	23.594 €	25.187 €	28.946 €	30.826 €	32.410 €	33.660 €	2.166 €
1600	14.271 €	16.051 €	16.927 €	20.592 €	21.744 €	23.492 €	25.664 €	27.417 €	33.004 €	35.081 €	36.837 €	38.205 €	2.350 €
1800	15.318 €	17.267 €	18.224 €	22.227 €	23.482 €	25.396 €	27.733 €	29.651 €	35.617 €	37.893 €	39.821 €	41.310 €	2.565 €

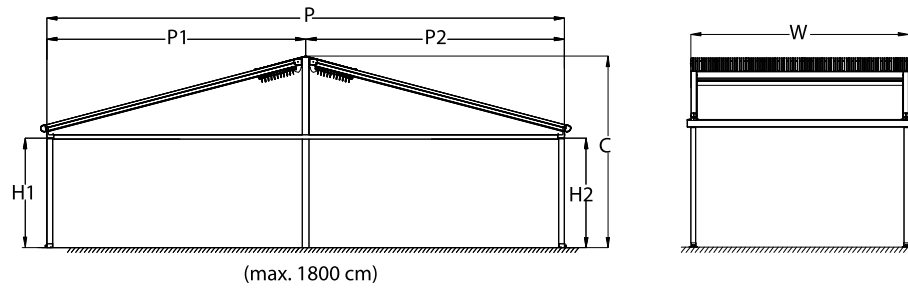
OPTIONAL	AEROFIL LOUVRE (LINE)											
	300	400	450	500	600	700	800	900	1000	1100	1200	1300
	94 €	117 €	128 €	128 €	188 €	188 €	211 €	233 €	256 €	316 €	350 €	350 €

STEEL CONSTR. EXTRA COLUMN	SIDE RAFTER /mt	SIDE RAFTER SUPPORT COLUMN 3,00 mt	SIDE RAFTER SUPPORT COLUMN 4,50 mt	EXTRA FRONT COLUMN 3,00 mt	EXTRA FRONT COLUMN 4,50 mt	DIMMER (REMOTE CONTROL)
400 €	35 €	137 €	190 €	153 €	206 €	1340 €

* Prices are based on ex-works.

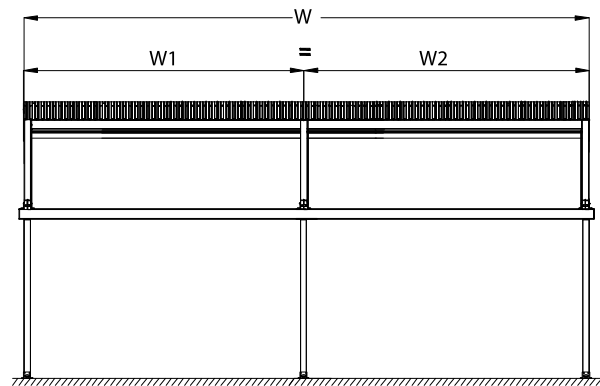
* The standart production color is ON617 & OGN35.

* Extra charge for other colors shall be calculated as %6 based on system price without lighting + optional profiles .



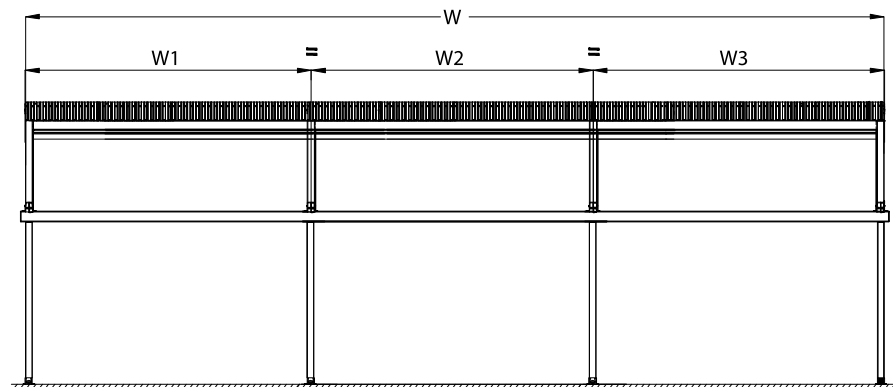
One Module

135 cm > 450 cm



Two Modules

450 cm > 900 cm



Three Modules

900 cm > 1300 cm

Order Name / No :

Order Date :

Company Name :

Quantity :

DIMENSIONS

W - Total Width cm

P1 - Projection 1 cm

P2 - Projection 2 cm

C - Top Height cm

H1 - Front / Post Height1 cm

H2 - Front / Post Height2 cm

Total Number of Post required (Maximum span between posts with gutter profile is 600 cm)

If modules are multiple and each module is in different width, please provide details (max. width for single modules is 450 cm, double modules 900 cm, triple modules 1300 cm)

W1..... cm

W2..... cm

W3..... cm

POWDERCOAT COLORS

Standart Colors

Ral Colors

Exclusive Colors

Anthracite ON617

RAL 9005

Anthracite ON611

Anthracite OGN35

RAL 9016

RAL 8019 ST

RAL 1013

RAL 9010 ST

RAL 9006

RAL 1013 ST

RAL 7016

RAL 9006 ST

Other RAL.....

PVC BLACKOUT FABRIC

Basic

Exclusive

prg 121 / White

prg 221 / White 3D

Other.....

prg 111 / Cream

prg 211 / Cream 3D

prg 241 / Grey 3D

OPTIONALS

Lighting ON-OFF System (High Power LED)

Additional Post of Supporting Steel Structurepc

Lighting Dimmer System

Side Overhang Past Rafter (max. 100 cm per side) Type..... (I / II / III / IV / V / VI)
Left Overhangcm. Right Overhangcm.

Aerofoil Louvre (Line).....pc

Storm Channel for Joining Systems & Double Rafter Wall Bracket Kit (for multiple systems)

Side Raftercm
Quantity.....pc

Support Post of Side Raftercm
Quantity.....pc

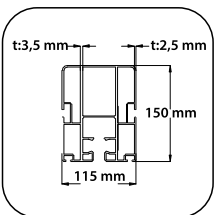
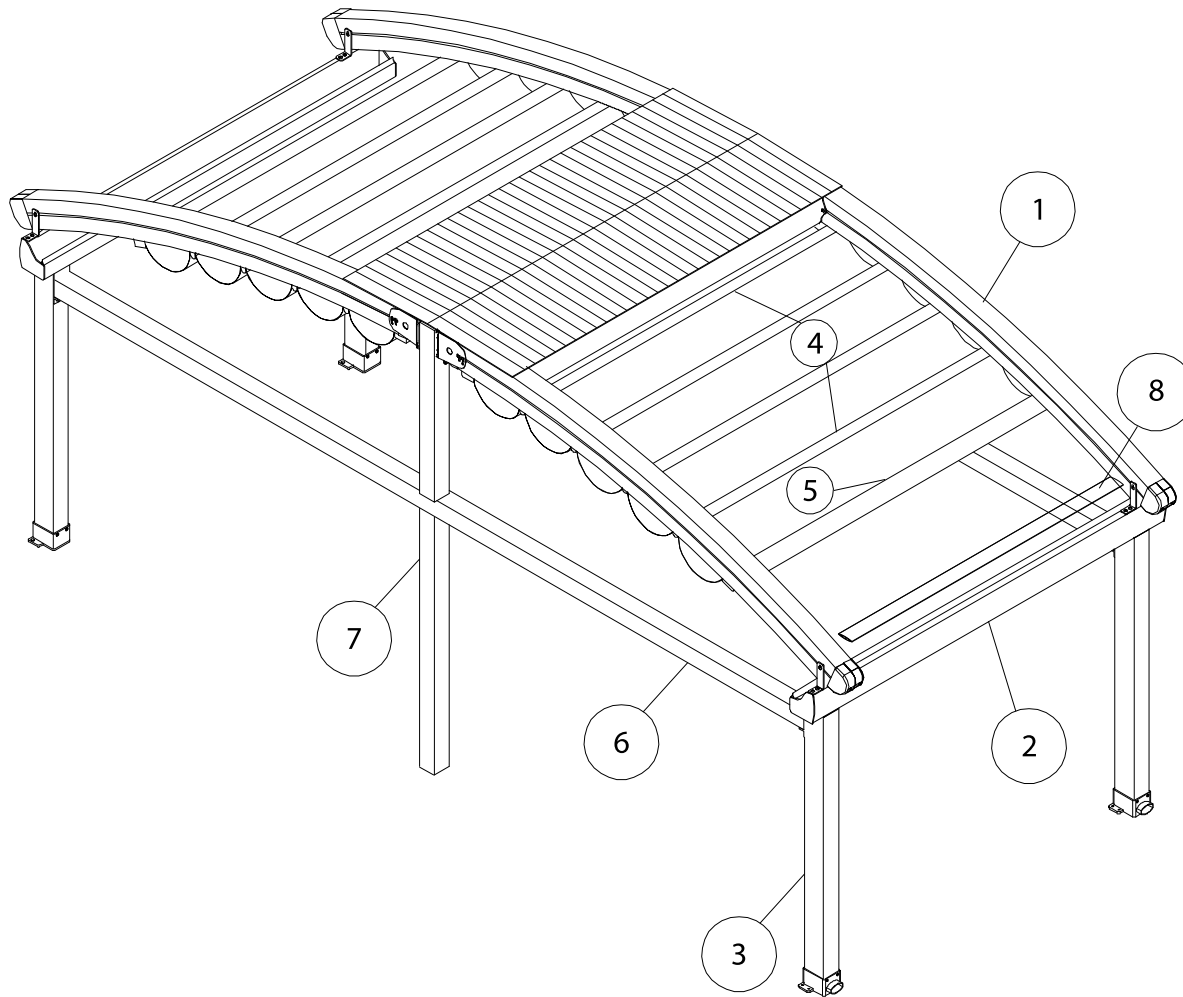
Additional Railpc

PACKAGING REQUIRMENTS

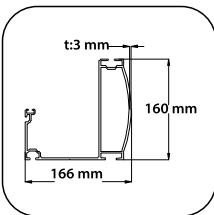
Only Bubble Wrap (Standart Packing) Bubble Wrap & Hard Cardboard**

ADDITIONAL NOTES & DRAWINGS ATTACHED

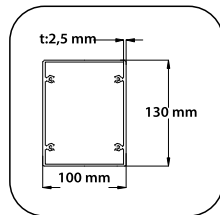
*** Extra cost charge



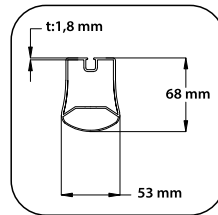
1- Rafter Profile



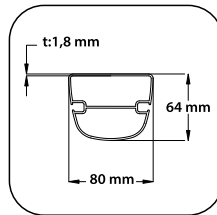
2- Gutter Profile



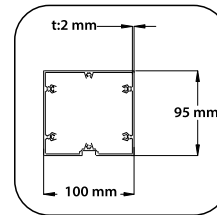
3- Front Column Profile



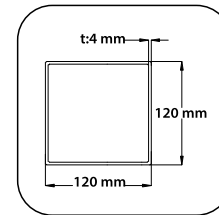
4- Fabric Support Profile



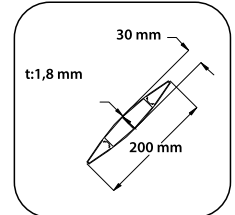
5- Puller Profile



6- Side Rafter Profile



7- Hollow Section Steel Profile



8- Aerofil Louvre Profile

REMOTE CONTROLLED SYSTEM (WITHOUT LIGHTING)

UZAKTAN KUMANDALI SİSTEM (IŞIKSIZ)

WIDTH / CEPHE (cm)

EXTENSION (cm)	1 MODULE			2 MODULES					3 MODULES				EXTRA RAFTER (pc)
	300	400	450	500	600	700	800	900	1000	1100	1200	1300	
	600	10.059 €	10.963 €	11.409 €	13.636 €	14.225 €	15.112 €	16.407 €	17.311 €	20.376 €	21.420 €	22.315 €	
800	11.065 €	12.111 €	12.627 €	15.245 €	15.926 €	16.954 €	18.390 €	19.434 €	22.923 €	24.136 €	25.190 €	25.982 €	2.016 €
1000	12.068 €	13.260 €	13.845 €	16.857 €	17.630 €	18.797 €	20.376 €	21.558 €	25.473 €	26.852 €	28.071 €	28.948 €	2.240 €
1200	13.074 €	14.408 €	15.062 €	18.468 €	19.331 €	20.637 €	22.361 €	23.681 €	28.020 €	29.568 €	30.948 €	31.914 €	2.466 €
1400	14.078 €	15.555 €	16.280 €	20.077 €	21.032 €	22.480 €	24.346 €	25.806 €	30.569 €	32.284 €	33.825 €	34.881 €	2.690 €
1600	15.084 €	16.703 €	17.500 €	21.688 €	22.734 €	24.320 €	26.330 €	27.928 €	33.116 €	35.000 €	36.702 €	37.847 €	2.913 €
1800	16.628 €	18.641 €	19.533 €	24.150 €	25.289 €	27.062 €	29.258 €	31.039 €	36.084 €	38.192 €	40.054 €	41.345 €	3.165 €
2000	17.832 €	19.790 €	20.751 €	25.759 €	26.991 €	28.904 €	31.242 €	33.161 €	38.634 €	40.906 €	42.931 €	44.311 €	3.387 €
2200	18.836 €	20.936 €	21.969 €	27.372 €	28.692 €	30.747 €	33.227 €	35.286 €	41.181 €	43.622 €	45.808 €	47.277 €	3.612 €

REMOTE CONTROLLED SYSTEM WITH HIGH POWER LED LIGHTING

UZAKTAN KUMANDALI SİSTEM (IŞIKLI)

WIDTH / CEPHE (cm)

EXTENSION (cm)	1 MODULE			2 MODULES					3 MODULES				EXTRA RAFTER (pc)
	300	400	450	500	600	700	800	900	1000	1100	1200	1300	
	600	11.265 €	12.270 €	12.762 €	15.248 €	15.905 €	16.888 €	18.280 €	19.277 €	22.641 €	23.797 €	24.756 €	
800	12.509 €	13.687 €	14.267 €	17.168 €	17.942 €	19.101 €	20.668 €	21.839 €	25.661 €	27.030 €	28.167 €	29.109 €	2.016 €
1000	13.746 €	15.101 €	15.766 €	19.089 €	19.976 €	21.309 €	23.055 €	24.399 €	28.686 €	30.263 €	31.586 €	32.653 €	2.240 €
1200	15.048 €	16.580 €	17.335 €	21.075 €	22.075 €	23.580 €	25.506 €	27.019 €	31.770 €	33.556 €	35.063 €	36.260 €	2.466 €
1400	16.284 €	17.994 €	18.836 €	22.993 €	24.110 €	25.789 €	27.894 €	29.581 €	34.793 €	36.787 €	38.478 €	39.804 €	2.690 €
1600	17.522 €	19.409 €	20.338 €	24.914 €	26.148 €	27.998 €	30.278 €	32.137 €	37.815 €	40.018 €	41.891 €	43.344 €	2.913 €
1800	19.300 €	21.615 €	22.655 €	27.688 €	29.036 €	31.109 €	33.607 €	35.684 €	41.260 €	43.726 €	45.779 €	47.419 €	3.165 €
2000	20.735 €	23.029 €	24.156 €	29.605 €	31.070 €	33.318 €	35.994 €	38.242 €	44.282 €	46.915 €	49.194 €	50.959 €	3.387 €
2200	21.739 €	24.176 €	25.373 €	31.218 €	32.771 €	35.161 €	37.979 €	40.367 €	46.829 €	49.631 €	52.071 €	53.925 €	3.612 €

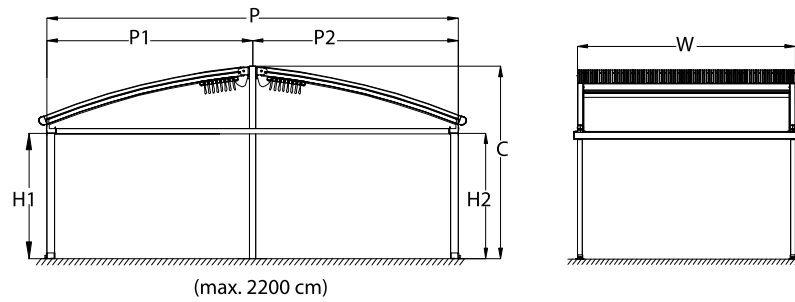
OPTIONAL	300	400	450	500	600	700	800	900	1000	1100	1200	1300
	AEROFIL LOUVRE (LINE)	94 €	117 €	128 €	128 €	188 €	188 €	211 €	233 €	256 €	316 €	350 €

STEEL CONSTR. EXTRA COLUMN	SIDE RAFTER /mt	SIDE RAFTER SUPPORT COLUMN 3,00 mt	SIDE RAFTER SUPPORT COLUMN 4,50 mt	EXTRA FRONT COLUMN 3,00 mt	EXTRA FRONT COLUMN 4,50 mt	DIMMER (REMOTE CONTROL)
400 €	35 €	137 €	190 €	153 €	206 €	1340 €

* Prices are based on ex-works.

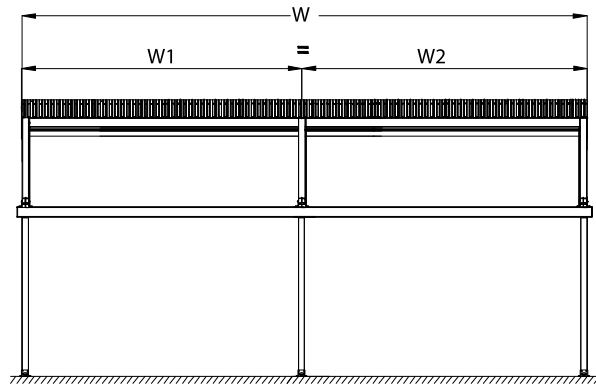
* The standart production color is ON617 & OGN35.

* Extra charge for other colors shall be calculated as %6 based on system price without lighting + optional profiles .



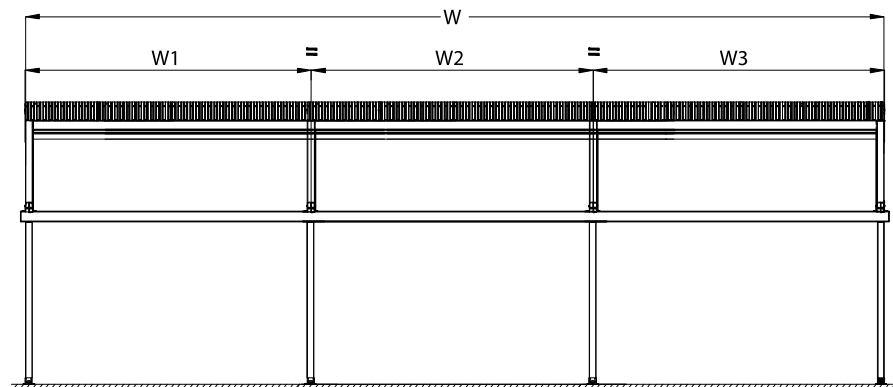
One Module

135 cm > 450 cm



Two Modules

450 cm > 900 cm



Three Modules

900 cm > 1300 cm

Order Name / No:

Order Date:

Company Name :

Quantity :

DIMENSIONS

W - Total Width cm

P1 - Projection 1 cm

P2 - Projection 2 cm

C - Top Height cm

H1 - Front / Post Height1 cm

H2 - Front / Post Height2 cm

Total Number of Post required (Maximum span between posts with gutter profile is 600 cm)

If modules are multiple and each module is in different width, please provide details (max. width for single modules is 450 cm, double modules 900 cm, triple modules 1300 cm)

W1..... cm

W2..... cm

W3..... cm

POWDERCOAT COLORS

Standart Colors

Ral Colors

Exclusive Colors

Anthracite ON617

RAL 9005

Anthracite ON611

Anthracite OGN35

RAL 9016

RAL 8019 ST

RAL 1013

RAL 9010 ST

RAL 9006

RAL 1013 ST

RAL 7016

RAL 9006 ST

Other RAL.....

PVC BLACKOUT FABRIC

Basic

Exclusive

prg 121 / White

prg 221 / White 3D

Other.....

prg 111 / Cream

prg 211 / Cream 3D

prg 241 / Grey 3D

OPTIONALS

Lighting ON-OFF System (High Power LED)

Additional Post of Supporting Steel Structurepc

Lighting Dimmer System

Side Overhang Past Rafter (max. 100 cm per side) Type..... (I / II / III / IV / V / VI)
Left Overhangcm. Right Overhangcm.

Aerofoil Louvre (Line).....pc

Storm Channel for Joining Systems & Double Rafter Wall Bracket Kit (for multiple systems)

Side Raftercm
Quantity.....pc

Support Post of Side Raftercm
Quantity.....pc

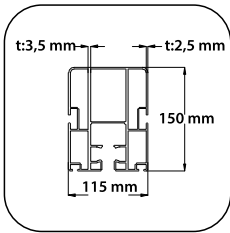
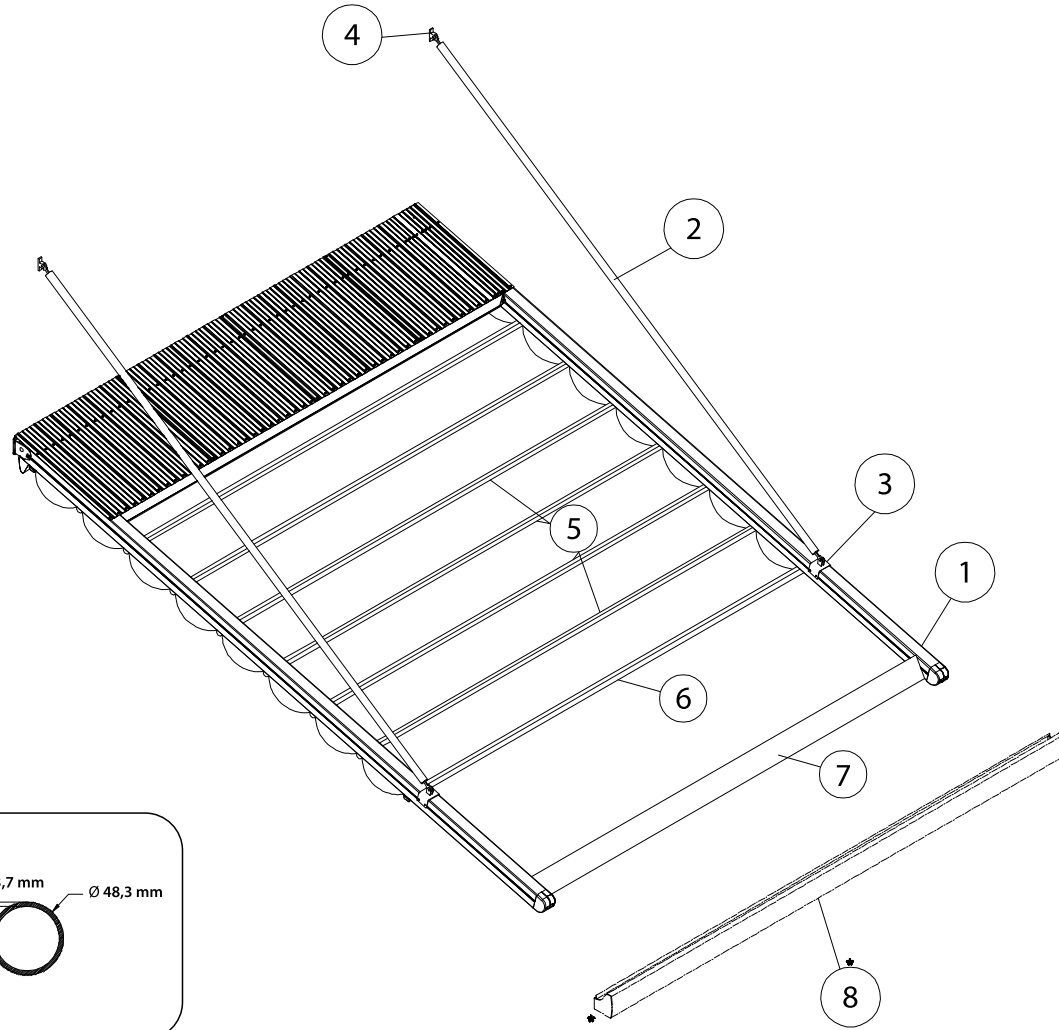
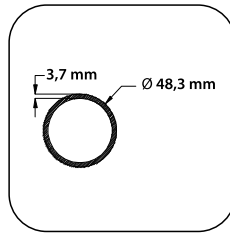
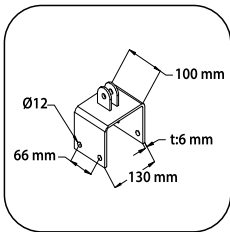
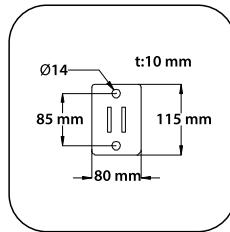
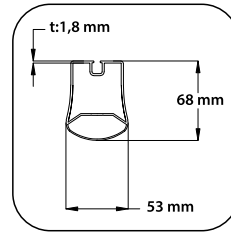
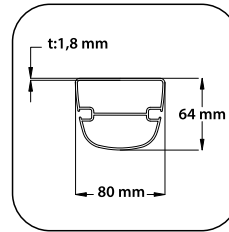
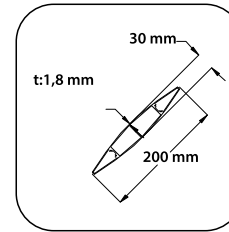
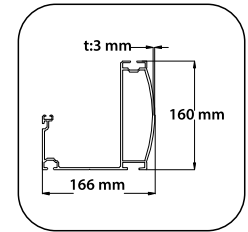
Additional Railpc

PACKAGING REQUIRMENTS

Only Bubble Wrap (Standart Packing) Bubble Wrap & Hard Cardboard**

ADDITIONAL NOTES & DRAWINGS ATTACHED

*** Extra cost charge


1- Rafter Profile

2- Hang Tube Profile

3- Hang Profile

4- Hang Wall Bracket Profile

5- Fabric Support Profile

6- Puller Profile

7- Aerofil Louvre Profile

8- Gutter Profile

* Optional

REMOTE CONTROLLED SYSTEM (WITHOUT LIGHTING)

UZAKTAN KUMANDALI SİSTEM (IŞIKSIZ)

WIDTH / CEPHE (cm)

EXTENSION (cm)	1 MODULE			2 MODULES				3 MODULES				EXTRA RAFTER (pc)	EXTRA RAFTER & INOX HANG	
	300	400	450	500	600	700	800	900	1000	1100	1200			1300
	300	3.143 €	3.472 €	3.634 €	4.419 €	4.576 €	4.885 €	5.198 €	5.504 €	6.389 €	6.773 €			7.070 €
400	3.555 €	3.951 €	4.146 €	5.095 €	5.293 €	5.668 €	6.069 €	6.421 €	7.490 €	7.956 €	8.331 €	8.599 €	901 €	1.069 €
500	4.215 €	4.679 €	4.906 €	6.143 €	6.382 €	6.825 €	7.273 €	7.711 €	9.089 €	9.636 €	10.090 €	10.398 €	1.083 €	1.346 €

REMOTE CONTROLLED SYSTEM WITH HIGH POWER LED LIGHTING

UZAKTAN KUMANDALI SİSTEM (IŞIKLI)

WIDTH / CEPHE (cm)

EXTENSION (cm)	1 MODULE			2 MODULES				3 MODULES				EXTRA RAFTER (pc)	EXTRA RAFTER & INOX HANG	
	300	400	450	500	600	700	800	900	1000	1100	1200			1300
	300	3.746 €	4.126 €	4.310 €	5.225 €	5.416 €	5.773 €	6.135 €	6.487 €	7.521 €	7.961 €			8.291 €
400	4.277 €	4.739 €	4.966 €	6.056 €	6.301 €	6.742 €	7.208 €	7.624 €	8.859 €	9.403 €	9.820 €	10.163 €	901 €	1.069 €
500	5.054 €	5.600 €	5.866 €	7.259 €	7.555 €	8.081 €	8.613 €	9.131 €	10.695 €	11.341 €	11.848 €	12.251 €	1.083 €	1.346 €

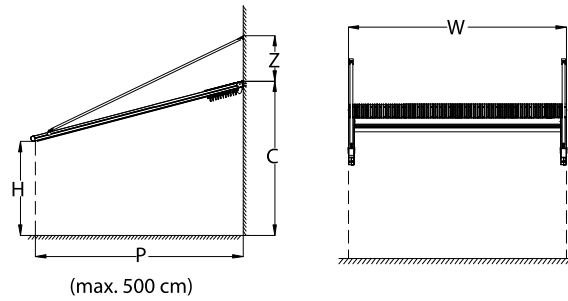
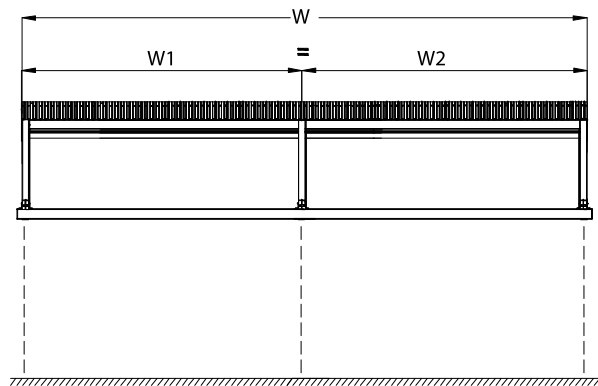
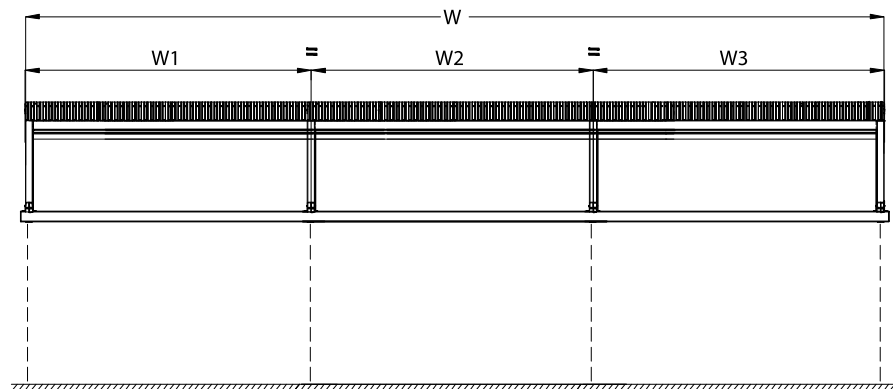
OPTIONAL

	300	400	450	500	600	700	800	900	1000	1100	1200	1300
GUTTER	182 €	224 €	246 €	285 €	328 €	370 €	413 €	455 €	516 €	559 €	601 €	644 €
ADDITIONAL AEROFIL LOUVRE (LINE)	94 €	117 €	128 €	188 €	188 €	211 €	233 €	256 €	316 €	350 €	350 €	384 €
EXTRA CHARGE FOR INOX HANGS 400	328 €			492 €				656 €				
EXTRA CHARGE FOR INOX HANGS 500	798 €			1197 €				1596 €				
STEEL BEAM 60x120x3 mm	135 €	180 €	203 €	225 €	270 €	315 €	360 €	405 €	450 €	495 €	540 €	585 €
DIMMER (REMOTE CONTROL)	670 €											

* Prices are based on ex-works.

* The standart production color is ON617 & OGN35.

* Extra charge for other colors shall be calculated as %6 based on system price without lighting + optional profiles .


One Module
135 cm > 450 cm

Two Modules
450 cm > 900 cm

Three Modules
900 cm > 1300 cm

Order Name / No:

Order Date :

Company Name :

Quantity :

DIMENSIONS

W - Total Width cm
 P - Projection cm
 C - Wall / Back Height cm
 Z - Hang Height cm
 H - Front Height cm

If modules are multiple and each module is in different width, please provide details (max. width for single modules is 450 cm, double modules 900 cm, triple modules 1300 cm)

W1..... cm
 W2..... cm
 W3..... cm

POWDERCOAT COLORS

Standart Colors

Ral Colors

Exclusive Colors

- | | | |
|---|---|---|
| <input type="checkbox"/> Anthracite ON617 | <input type="checkbox"/> RAL 9005 | <input type="checkbox"/> Anthracite ON611 |
| <input type="checkbox"/> Anthracite OGN35 | <input type="checkbox"/> RAL 9016 | <input type="checkbox"/> RAL 8019 ST |
| | <input type="checkbox"/> RAL 1013 | <input type="checkbox"/> RAL 9010 ST |
| | <input type="checkbox"/> RAL 9006 | <input type="checkbox"/> RAL 1013 ST |
| | <input type="checkbox"/> RAL 7016 | <input type="checkbox"/> RAL 9006 ST |
| | <input type="checkbox"/> Other RAL..... | |

PVC BLACKOUT FABRIC

Basic

Exclusive

- | | | |
|--|---|-------------------------------------|
| <input type="checkbox"/> prg 121 / White | <input type="checkbox"/> prg 221 / White 3D | <input type="checkbox"/> Other..... |
| <input type="checkbox"/> prg 111 / Cream | <input type="checkbox"/> prg 211 / Cream 3D | |
| | <input type="checkbox"/> prg 241 / Grey 3D | |

OPTIONALS

- | | |
|--|--|
| <input type="checkbox"/> Lighting ON-OFF System (High Power LED) | <input type="checkbox"/> Wall Installation Steel Beam |
| <input type="checkbox"/> Lighting Dimmer System | <input type="checkbox"/> Additional Post of Supporting Steel Structurepc |
| <input type="checkbox"/> Aerofoil Louvre (Line).....pc | <input type="checkbox"/> Side Overhang Past Rafter (max. 100 cm per side) Type..... (I / II / III / IV / V / VI)
Left Overhangcm. Right Overhangcm. |
| <input type="checkbox"/> Additional Railpc | <input type="checkbox"/> Storm Channel for Joining Systems & Double Rafter Wall Bracket Kit (for multiple systems) |
| <input type="checkbox"/> Supporting Steel Structure With Post | |

INSTALLATION BRACKET

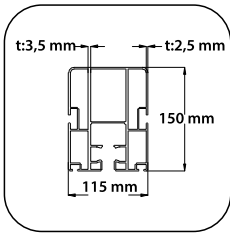
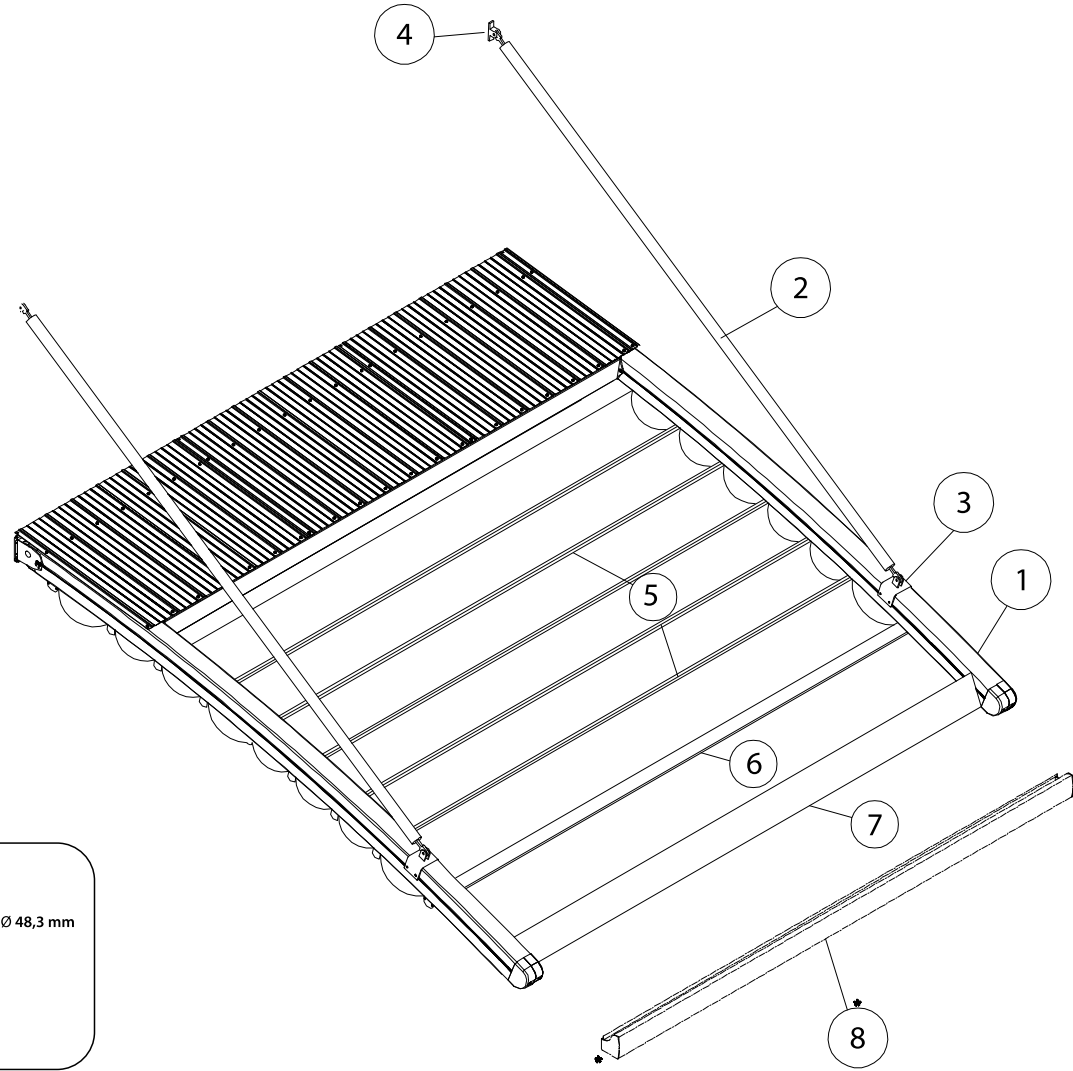
- Wall Bracket Ceiling Bracket

PACKAGING REQUIRMENTS

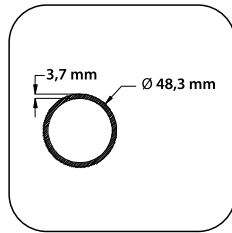
- Only Bubble Wrap (Standart Packing) Bubble Wrap & Hard Cardboard**

ADDITIONAL NOTES & DRAWINGS ATTACHED

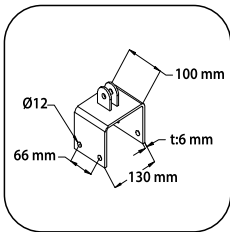
*** Extra cost charge



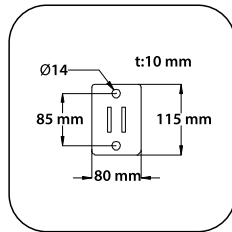
1- Rafter Profile



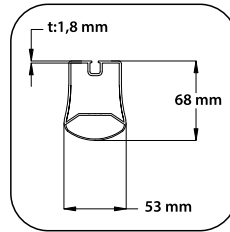
2- Hang Tube Profile



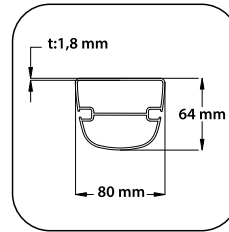
3- Hang Profile



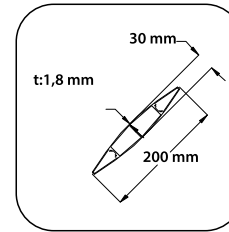
4- Hang Wall Bracket Profile



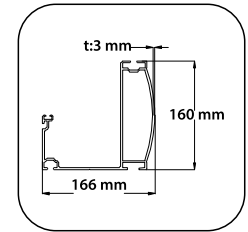
5- Fabric Support Profile



6- Puller Profile



7- Aerofil Louvre Profile



8- Gutter Profile

* Optional

REMOTE CONTROLLED SYSTEM (WITHOUT LIGHTING)
UZAKTAN KUMANDALI SİSTEM (IŞIKSIZ)
WIDTH / CEPHE (cm)

EXTENSION (cm)	1 MODULE			2 MODULES				3 MODULES				EXTRA RAFTER (pc)	EXTRA RAFTER & INOX HANG	
	300	400	450	500	600	700	800	900	1000	1100	1200			1300
	300	4.249 €	4.593 €	4.762 €	5.785 €	5.957 €	6.281 €	6.609 €	6.930 €	8.374 €	8.777 €			9.089 €
400	4.757 €	5.173 €	5.377 €	6.607 €	6.821 €	7.221 €	7.622 €	8.014 €	9.688 €	10.177 €	10.572 €	10.863 €	1.103 €	1.271 €
500	5.513 €	6.000 €	6.241 €	7.802 €	8.066 €	8.534 €	9.007 €	9.470 €	11.498 €	12.074 €	12.552 €	12.888 €	1.305 €	1.568 €

REMOTE CONTROLLED SYSTEM WITH HIGH POWER LED LIGHTING
UZAKTAN KUMANDALI SİSTEM (IŞIKLI)
WIDTH / CEPHE (cm)

EXTENSION (cm)	1 MODULE			2 MODULES				3 MODULES				EXTRA RAFTER (pc)	EXTRA RAFTER & INOX HANG	
	300	400	450	500	600	700	800	900	1000	1100	1200			1300
	300	4.852 €	5.247 €	5.438 €	6.591 €	6.797 €	7.169 €	7.546 €	7.913 €	9.506 €	9.965 €			10.310 €
400	5.479 €	5.961 €	6.197 €	7.568 €	7.829 €	8.295 €	8.761 €	9.217 €	11.057 €	11.624 €	12.061 €	12.427 €	1.103 €	1.271 €
500	6.352 €	6.921 €	7.201 €	8.918 €	9.239 €	9.790 €	10.347 €	10.890 €	13.104 €	13.779 €	14.310 €	14.741 €	1.305 €	1.568 €

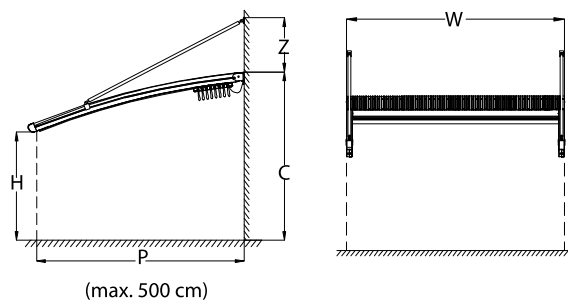
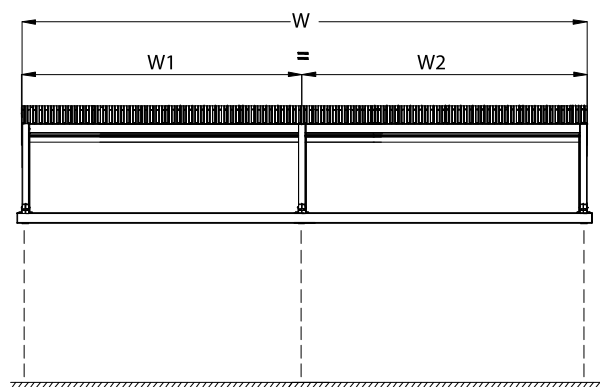
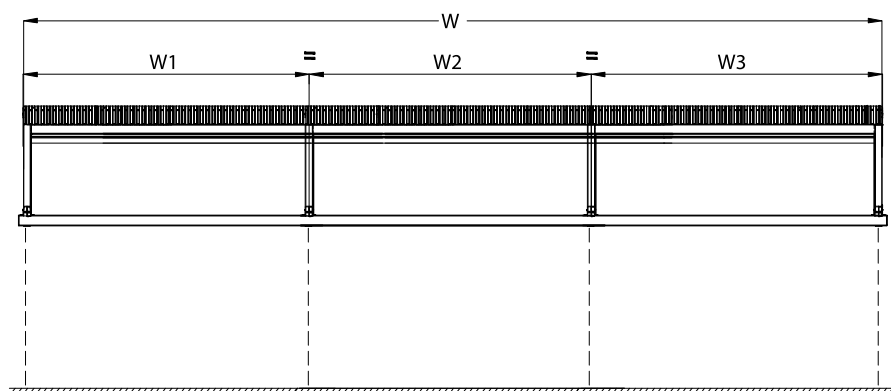
OPTIONAL

	300	400	450	500	600	700	800	900	1000	1100	1200	1300
GUTTER	182 €	224 €	246 €	285 €	328 €	370 €	413 €	455 €	516 €	559 €	601 €	644 €
ADDITIONAL AEROFIL LOUVRE (LINE)	94 €	117 €	128 €	188 €	188 €	211 €	233 €	256 €	316 €	350 €	350 €	384 €
EXTRA CHARGE FOR INOX HANGS 400	328 €			492 €				656 €				
EXTRA CHARGE FOR INOX HANGS 500	798 €			1197 €				1596 €				
STEEL BEAM 60x120x3 mm	135 €	180 €	203 €	225 €	270 €	315 €	360 €	405 €	450 €	495 €	540 €	585 €
DIMMER (REMOTE CONTROL)	670 €											

* Prices are based on ex-works.

* The standart production color is ON617 & OGN35.

* Extra charge for other colors shall be calculated as %6 based on system price without lighting + optional profiles .


One Module
135 cm > 450 cm

Two Modules
450 cm > 900 cm

Three Modules
900 cm > 1300 cm

Order Name / No:

Order Date:

Company Name :

Quantity :

DIMENSIONS

W - Total Width cm
 P - Projection cm
 C - Wall / Back Height cm
 Z - Hang Height cm
 H - Front Height cm

If modules are multiple and each module is in different width, please provide details (max. width for single modules is 450 cm, double modules 900 cm, triple modules 1300 cm)

W1..... cm
 W2..... cm
 W3..... cm

POWDERCOAT COLORS

Standart Colors

Ral Colors

Exclusive Colors

- | | | |
|---|---|---|
| <input type="checkbox"/> Anthracite ON617 | <input type="checkbox"/> RAL 9005 | <input type="checkbox"/> Anthracite ON611 |
| <input type="checkbox"/> Anthracite OGN35 | <input type="checkbox"/> RAL 9016 | <input type="checkbox"/> RAL 8019 ST |
| | <input type="checkbox"/> RAL 1013 | <input type="checkbox"/> RAL 9010 ST |
| | <input type="checkbox"/> RAL 9006 | <input type="checkbox"/> RAL 1013 ST |
| | <input type="checkbox"/> RAL 7016 | <input type="checkbox"/> RAL 9006 ST |
| | <input type="checkbox"/> Other RAL..... | |

PVC BLACKOUT FABRIC

Basic

Exclusive

- | | | |
|--|---|-------------------------------------|
| <input type="checkbox"/> prg 121 / White | <input type="checkbox"/> prg 221 / White 3D | <input type="checkbox"/> Other..... |
| <input type="checkbox"/> prg 111 / Cream | <input type="checkbox"/> prg 211 / Cream 3D | |
| | <input type="checkbox"/> prg 241 / Grey 3D | |

OPTIONALS

- | | |
|--|--|
| <input type="checkbox"/> Lighting ON-OFF System (High Power LED) | <input type="checkbox"/> Wall Installation Steel Beam |
| <input type="checkbox"/> Lighting Dimmer System | <input type="checkbox"/> Additional Post of Supporting Steel Structurepc |
| <input type="checkbox"/> Aerofoil Louvre (Line).....pc | <input type="checkbox"/> Side Overhang Past Rafter (max. 100 cm per side) Type..... (I / II / III / IV / V / VI)
Left Overhangcm. Right Overhangcm. |
| <input type="checkbox"/> Additional Railpc | <input type="checkbox"/> Storm Channel for Joining Systems & Double Rafter Wall Bracket Kit (for multiple systems) |
| <input type="checkbox"/> Supporting Steel Structure With Post | |

INSTALLATION BRACKET

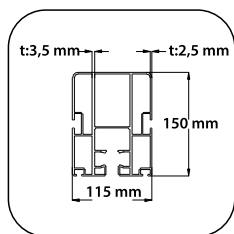
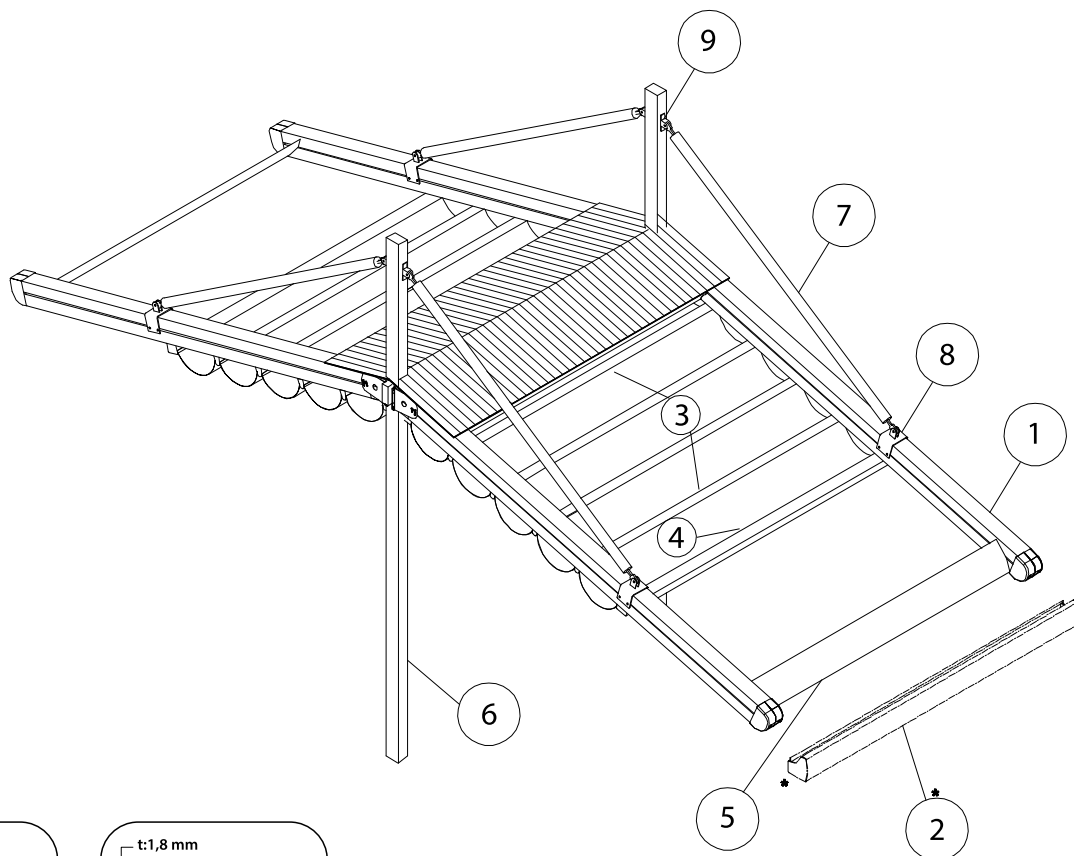
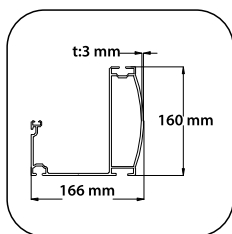
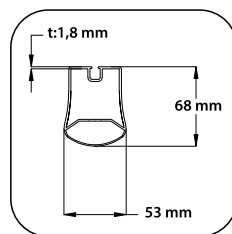
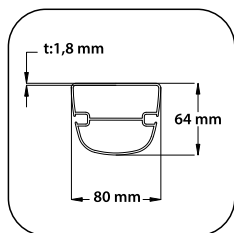
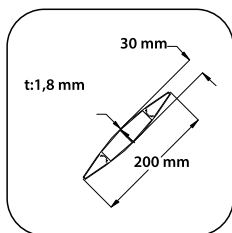
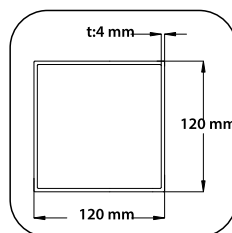
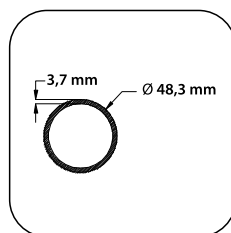
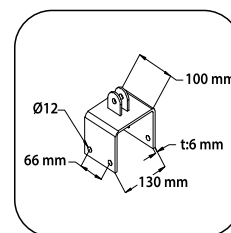
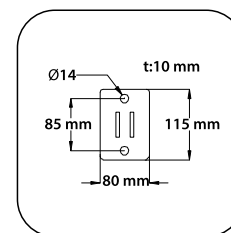
- Wall Bracket Ceiling Bracket

PACKAGING REQUIRMENTS

- Only Bubble Wrap (Standart Packing) Bubble Wrap & Hard Cardboard**

ADDITIONAL NOTES & DRAWINGS ATTACHED

*** Extra cost charge


1- Rafter Profile

2- Gutter Profile
 * Optional

3- Fabric Support Profile

4- Puller Profile

5- Aerofil Louvre Profile

6- Hollow Section Steel Profile

7- Hang Tube Profile

8- Hang Profile

9- Hang Wall Bracket Profile

REMOTE CONTROLLED SYSTEM (WITHOUT LIGHTING)
UZAKTAN KUMANDALI SİSTEM (İŞİKSİZ)
WIDTH / CEPHE (cm)

EXTENSION (cm)	1 MODULE			2 MODULES				3 MODULES				EXTRA RAFTER (pc)	EXTRA RAFTER & INOX HANG	
	300	400	450	500	600	700	800	900	1000	1100	1200			1300
	600	7.786 €	8.544 €	8.918 €	10.538 €	10.952 €	11.870 €	12.996 €	13.708 €	15.578 €	16.446 €			17.140 €
800	8.610 €	9.502 €	9.942 €	11.890 €	12.386 €	13.436 €	14.738 €	15.542 €	17.780 €	18.812 €	19.662 €	20.298 €	1.801 €	2.138 €
1000	9.930 €	10.958 €	11.462 €	13.986 €	14.564 €	15.750 €	17.146 €	18.122 €	20.978 €	22.172 €	23.180 €	23.896 €	2.166 €	2.692 €

REMOTE CONTROLLED SYSTEM WITH HIGH POWER LED LIGHTING
UZAKTAN KUMANDALI SİSTEM (İŞIKLI)
WIDTH / CEPHE (cm)

EXTENSION (cm)	1 MODULE			2 MODULES				3 MODULES				EXTRA RAFTER (pc)	EXTRA RAFTER & INOX HANG	
	300	400	450	500	600	700	800	900	1000	1100	1200			1300
	600	8.993 €	9.851 €	10.271 €	12.149 €	12.632 €	13.647 €	14.869 €	15.675 €	17.843 €	18.823 €			19.582 €
800	10.054 €	11.077 €	11.582 €	13.813 €	14.402 €	15.583 €	17.016 €	17.947 €	20.518 €	21.706 €	22.639 €	23.425 €	1.801 €	2.138 €
1000	11.608 €	12.799 €	13.383 €	16.219 €	16.911 €	18.262 €	19.825 €	20.963 €	24.191 €	25.583 €	26.695 €	27.601 €	2.166 €	2.692 €

OPTIONAL

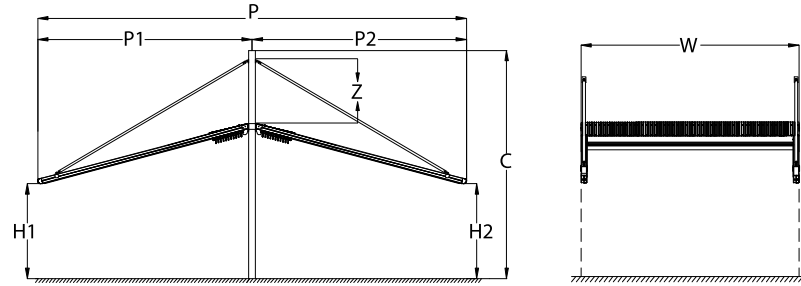
	300	400	450	500	600	700	800	900	1000	1100	1200	1300
GUTTER	364 €	448 €	492 €	570 €	656 €	740 €	826 €	910 €	1.032 €	1.118 €	1.202 €	1.288 €
ADDITIONAL AEROFIL LOUVRE (LINE)	94 €	117 €	128 €	188 €	188 €	211 €	233 €	256 €	316 €	350 €	350 €	384 €
EXTRA CHARGE FOR INOX HANGS 800	656 €			984 €				1.312 €				
EXTRA CHARGE FOR INOX HANGS 1000	1.596 €			2.394 €				3.192 €				

DIMMER (REMOTE CONTROL)	1340 €	STEEL CONS. EXTRA COLUMN	600 €
--------------------------------	--------	---------------------------------	-------

* Prices are based on ex-works.

* The standart production color is ON617 & OGN35.

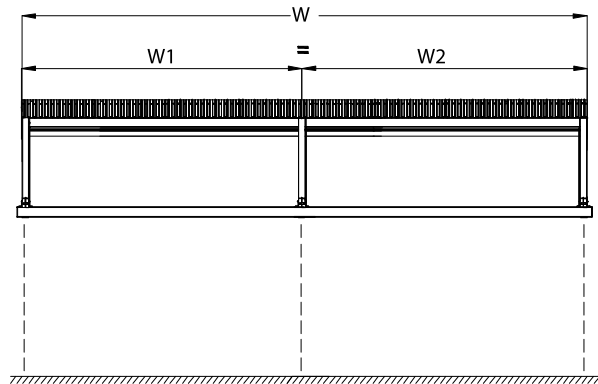
* Extra charge for other colors shall be calculated as %6 based on system price without lighting + optional profiles .



(max. 1000 cm)

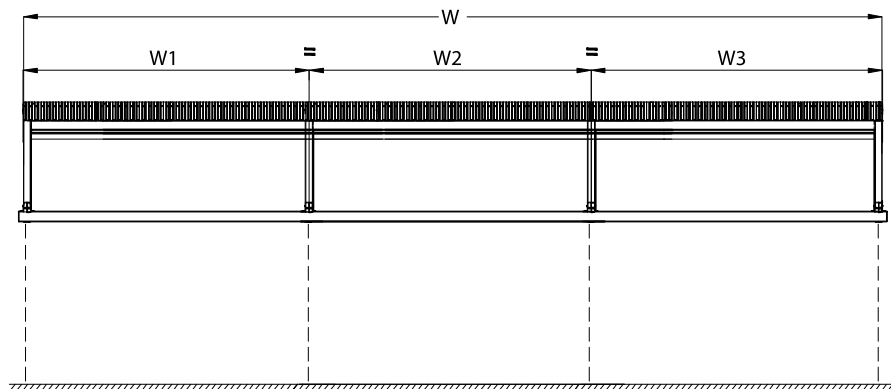
One Module

135 cm > 450 cm



Two Modules

450 cm > 900 cm



Three Modules

900 cm > 1300 cm

Order Name / No :

Order Date :

Company Name :

Quantity :

DIMENSIONS

W - Total Width cm
 P1 - Projection 1 cm
 P2 - Projection 2 cm
 C - Top Height cm
 Z - Hang Height cm
 H 1 - Front Height 1 cm
 H 2 - Front Height 2 cm

If modules are multiple and each module is in different width, please provide details (max. width for single modules is 450 cm, double modules 900 cm, triple modules 1300 cm)

W1..... cm
 W2..... cm
 W3..... cm

POWDERCOAT COLORS

Standart Colors

Ral Colors

Exclusive Colors

- | | | |
|---|---|---|
| <input type="checkbox"/> Anthracite ON617 | <input type="checkbox"/> RAL 9005 | <input type="checkbox"/> Anthracite ON611 |
| <input type="checkbox"/> Anthracite OGN35 | <input type="checkbox"/> RAL 9016 | <input type="checkbox"/> RAL 8019 ST |
| | <input type="checkbox"/> RAL 1013 | <input type="checkbox"/> RAL 9010 ST |
| | <input type="checkbox"/> RAL 9006 | <input type="checkbox"/> RAL 1013 ST |
| | <input type="checkbox"/> RAL 7016 | <input type="checkbox"/> RAL 9006 ST |
| | <input type="checkbox"/> Other RAL..... | |

PVC BLACKOUT FABRIC

Basic

Exclusive

- | | | |
|--|---|-------------------------------------|
| <input type="checkbox"/> prg 121 / White | <input type="checkbox"/> prg 221 / White 3D | <input type="checkbox"/> Other..... |
| <input type="checkbox"/> prg 111 / Cream | <input type="checkbox"/> prg 211 / Cream 3D | |
| | <input type="checkbox"/> prg 241 / Grey 3D | |

OPTIONALS

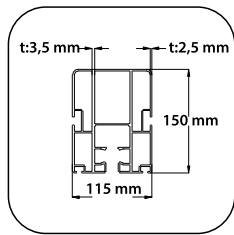
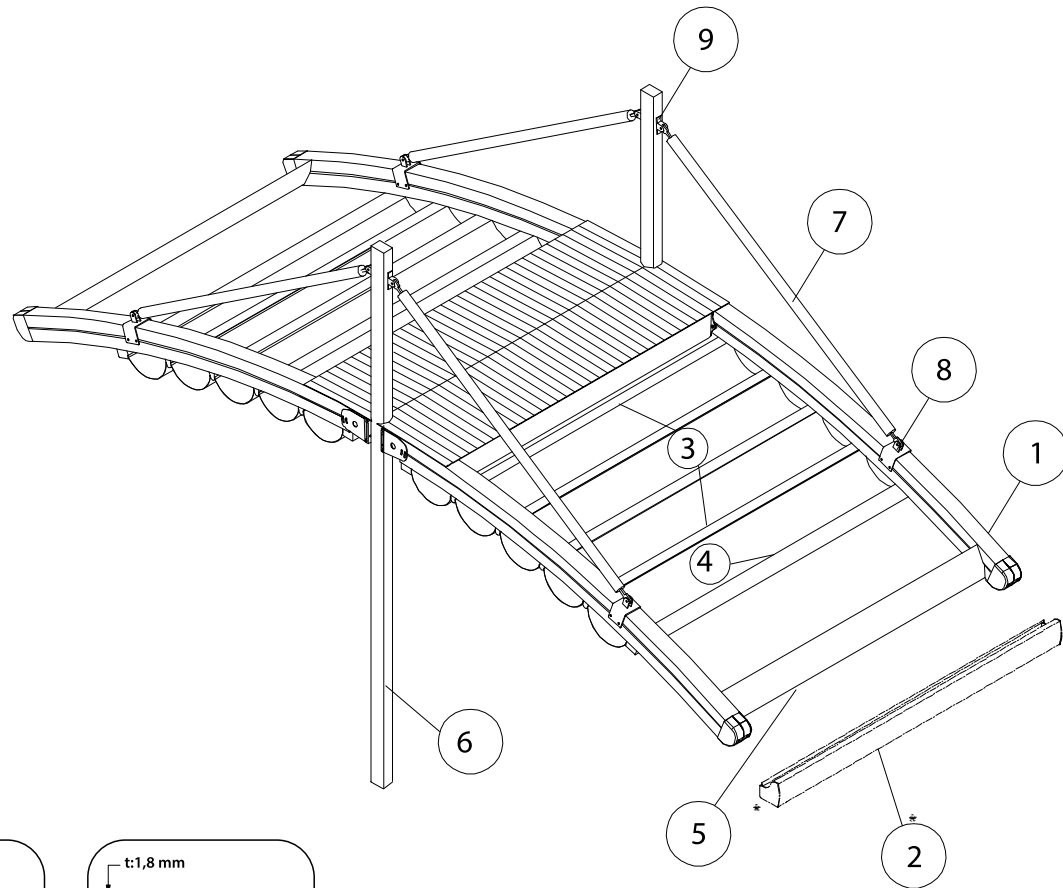
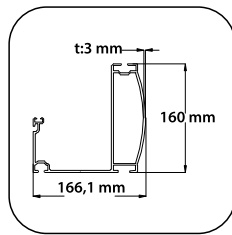
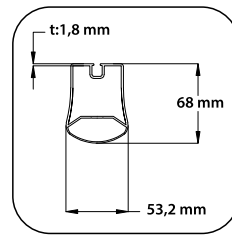
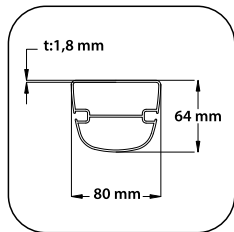
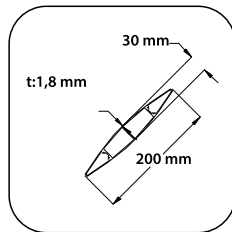
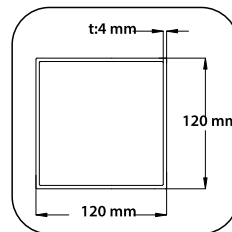
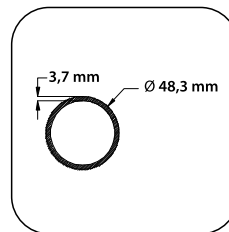
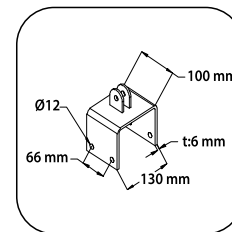
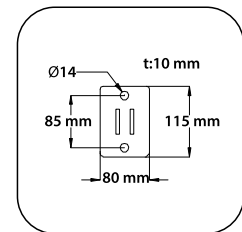
- | | |
|--|--|
| <input type="checkbox"/> Lighting ON-OFF System (High Power LED) | <input type="checkbox"/> Side Overhang Past Rafter (max. 100 cm per side) Type..... (I / II / III / IV / V / VI)
Left Overhangcm. Right Overhangcm. |
| <input type="checkbox"/> Lighting Dimmer System | <input type="checkbox"/> Storm Channel for Joining Systems & Double Rafter Wall Bracket Kit (for multiple systems) |
| <input type="checkbox"/> Aerofoil Louvre (Line).....pc | |
| <input type="checkbox"/> Additional Railpc | |

PACKAGING REQUIRMENTS

- Only Bubble Wrap (Standart Packing) Bubble Wrap & Hard Cardboard**

ADDITIONAL NOTES & DRAWINGS ATTACHED

*** Extra cost charge


1- Rafter Profile

2- Gutter Profile
 * Optional

3- Fabric Support Profile

4- Puller Profile

5- Aerofil Louvre Profile

6- Hollow Section Steel Profile

7- Hang Tube Profile

8- Hang Profile

9- Hang Wall Bracket Profile

REMOTE CONTROLLED SYSTEM (WITHOUT LIGHTING)**UZAKTAN KUMANDALI SİSTEM (İŞİKSİZ)****WIDTH / CEPHE (cm)**

EXTENSION (cm)	1 MODULE			2 MODULES				3 MODULES				EXTRA RAFTER (pc)	EXTRA RAFTER & INOX HANG	
	300	400	450	500	600	700	800	900	1000	1100	1200			1300
	600	9.998 €	10.786 €	11.174 €	13.270 €	13.714 €	14.662 €	15.818 €	16.560 €	19.548 €	20.454 €			21.178 €
800	11.014 €	11.946 €	12.404 €	14.914 €	15.442 €	16.542 €	17.844 €	18.728 €	22.176 €	23.254 €	24.144 €	24.826 €	2.206 €	2.542 €
1000	12.526 €	13.600 €	14.132 €	17.304 €	17.932 €	19.168 €	20.614 €	21.640 €	25.796 €	27.048 €	28.104 €	28.876 €	2.611 €	3.137 €

REMOTE CONTROLLED SYSTEM WITH HIGH POWER LED LIGHTING**UZAKTAN KUMANDALI SİSTEM (İŞİKLİ)****WIDTH / CEPHE (cm)**

EXTENSION (cm)	1 MODULE			2 MODULES				3 MODULES				EXTRA RAFTER (pc)	EXTRA RAFTER & INOX HANG	
	300	400	450	500	600	700	800	900	1000	1100	1200			1300
	600	11.205 €	12.093 €	12.527 €	14.881 €	15.394 €	16.439 €	17.691 €	18.527 €	21.813 €	22.831 €			23.620 €
800	12.458 €	13.521 €	14.044 €	16.837 €	17.458 €	18.689 €	20.122 €	21.133 €	24.914 €	26.148 €	27.121 €	27.953 €	2.206 €	2.542 €
1000	14.204 €	15.441 €	16.053 €	19.537 €	20.279 €	21.680 €	23.293 €	24.481 €	29.009 €	30.459 €	31.619 €	32.581 €	2.611 €	3.137 €

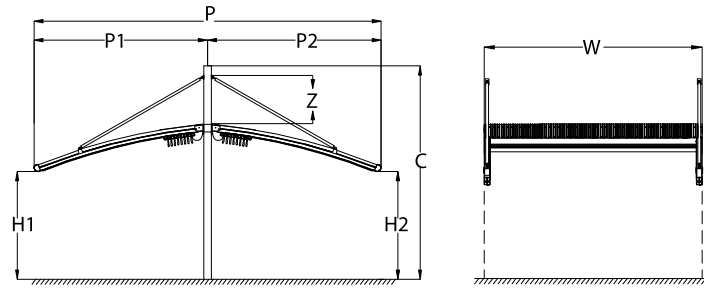
OPTIONAL

	300	400	450	500	600	700	800	900	1000	1100	1200	1300
GUTTER	364 €	448 €	492 €	570 €	656 €	740 €	826 €	910 €	1.032 €	1.118 €	1.202 €	1.288 €
ADDITIONAL AEROFIL LOUVRE (LINE)	94 €	117 €	128 €	188 €	188 €	211 €	233 €	256 €	316 €	350 €	350 €	384 €
EXTRA CHARGE FOR INOX HANGS 800	656 €			984 €				1.312 €				
EXTRA CHARGE FOR INOX HANGS 1000	1.596 €			2.394 €				3.192 €				
DIMMER (REMOTE CONTROL)	1340 €		STEEL CONS. EXTRA COLUMN		600 €							

* Prices are based on ex-works.

* The standart production color is ON617 & OGN35.

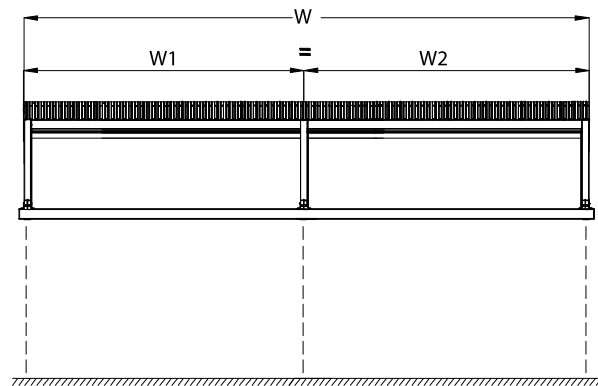
* Extra charge for other colors shall be calculated as %6 based on system price without lighting + optional profiles .



(max. 1000 cm)

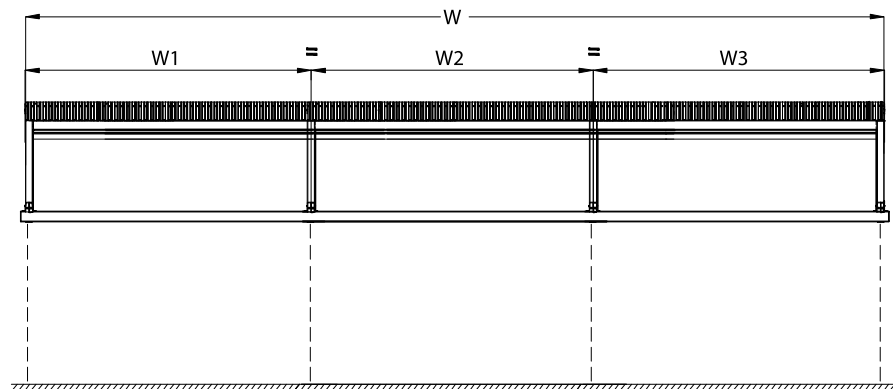
One Module

135 cm > 450 cm



Two Modules

450 cm > 900 cm



Three Modules

900 cm > 1300 cm

Order Name / No:

Order Date:

Company Name :

Quantity :

DIMENSIONS

W - Total Width cm
 P1 - Projection 1 cm
 P2 - Projection 2 cm
 C - Top Height cm
 Z - Hang Height cm
 H 1 - Front Height 1 cm
 H 2 - Front Height 2 cm

If modules are multiple and each module is in different width, please provide details (max. width for single modules is 450 cm, double modules 900 cm, triple modules 1300 cm)

W1..... cm
 W2..... cm
 W3..... cm

POWDERCOAT COLORS

Standart Colors

Ral Colors

Exclusive Colors

- | | | |
|---|---|---|
| <input type="checkbox"/> Anthracite ON617 | <input type="checkbox"/> RAL 9005 | <input type="checkbox"/> Anthracite ON611 |
| <input type="checkbox"/> Anthracite OGN35 | <input type="checkbox"/> RAL 9016 | <input type="checkbox"/> RAL 8019 ST |
| | <input type="checkbox"/> RAL 1013 | <input type="checkbox"/> RAL 9010 ST |
| | <input type="checkbox"/> RAL 9006 | <input type="checkbox"/> RAL 1013 ST |
| | <input type="checkbox"/> RAL 7016 | <input type="checkbox"/> RAL 9006 ST |
| | <input type="checkbox"/> Other RAL..... | |

PVC BLACKOUT FABRIC

Basic

Exclusive

- | | | |
|--|---|-------------------------------------|
| <input type="checkbox"/> prg 121 / White | <input type="checkbox"/> prg 221 / White 3D | <input type="checkbox"/> Other..... |
| <input type="checkbox"/> prg 111 / Cream | <input type="checkbox"/> prg 211 / Cream 3D | |
| | <input type="checkbox"/> prg 241 / Grey 3D | |

OPTIONALS

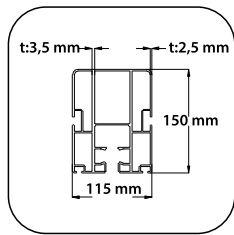
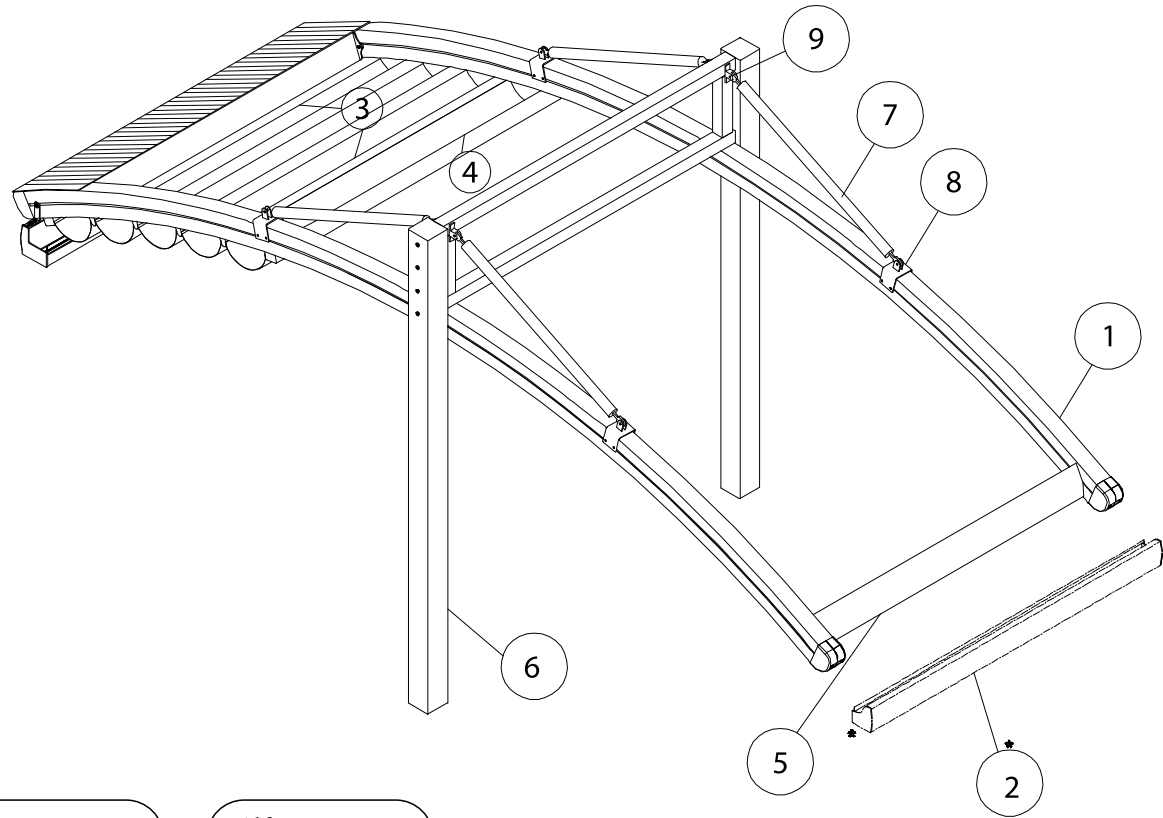
- | | |
|--|--|
| <input type="checkbox"/> Lighting ON-OFF System (High Power LED) | <input type="checkbox"/> Side Overhang Past Rafter (max. 100 cm per side) Type..... (I / II / III / IV / V / VI)
Left Overhangcm. Right Overhangcm. |
| <input type="checkbox"/> Lighting Dimmer System | <input type="checkbox"/> Storm Channel for Joining Systems & Double Rafter Wall Bracket Kit (for multiple systems) |
| <input type="checkbox"/> Aerofoil Louvre (Line).....pc | |
| <input type="checkbox"/> Additional Railpc | |

PACKAGING REQUIRMENTS

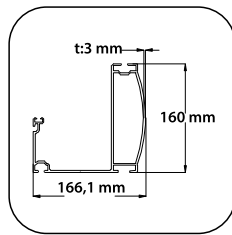
- Only Bubble Wrap (Standart Packing) Bubble Wrap & Hard Cardboard**

ADDITIONAL NOTES & DRAWINGS ATTACHED

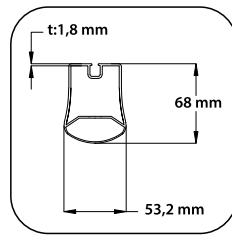
*** Extra cost charge



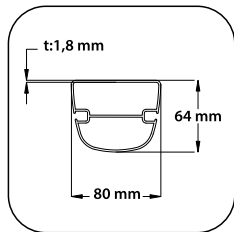
1- Rafter Profile



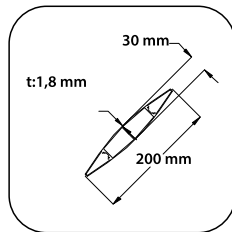
2- Gutter Profile
* Optional



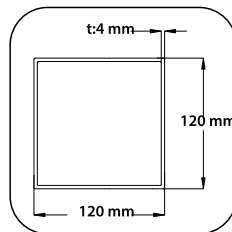
3- Fabric Support Profile



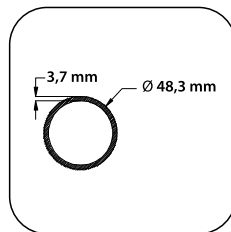
4- Puller Profile



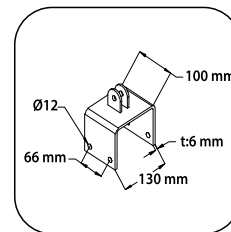
5- Aerofil Louvre Profile



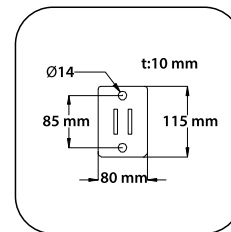
6- Hollow Section Steel Profile



7- Hang Tube Profile



8- Hang Profile



9- Hang Wall Bracket Profile

REMOTE CONTROLLED SYSTEM (WITHOUT LIGHTING)**UZAKTAN KUMANDALI SİSTEM (IŞIKSIZ)****WIDTH / CEPHE (cm)**

EXTENSION (cm)	1 MODULE		2 MODULES				3 MODULES	EXTRA RAFTER (pc)
	300	400	500	600	700	800	900	
	300	6.240 €	6.743 €	8.127 €	8.426 €	8.893 €	9.365 €	
400	6.747 €	7.307 €	8.949 €	9.294 €	9.833 €	10.378 €	12.366 €	1.198 €
500	7.255 €	7.872 €	9.772 €	10.162 €	10.773 €	11.390 €	13.634 €	1.310 €
600	7.762 €	8.452 €	10.593 €	11.030 €	11.713 €	12.403 €	14.900 €	1.423 €
700	8.270 €	8.583 €	11.414 €	11.898 €	12.653 €	13.416 €	16.169 €	1.535 €
800	8.777 €	9.612 €	12.236 €	12.766 €	13.593 €	14.429 €	17.435 €	1.646 €

REMOTE CONTROLLED SYSTEM WITH HIGH POWER LED LIGHTING**UZAKTAN KUMANDALI SİSTEM (IŞIKLI)****WIDTH / CEPHE (cm)**

EXTENSION (cm)	1 MODULE		2 MODULES				3 MODULES	EXTRA RAFTER (pc)
	300	400	500	600	700	800	900	
	300	6.843 €	7.397 €	8.933 €	9.266 €	9.781 €	10.302 €	
400	7.469 €	8.095 €	9.910 €	10.302 €	10.907 €	11.517 €	13.569 €	1.198 €
500	8.094 €	8.793 €	10.888 €	11.335 €	12.029 €	12.730 €	15.054 €	1.310 €
600	8.749 €	9.538 €	11.896 €	12.402 €	13.185 €	13.975 €	16.569 €	1.423 €
700	9.373 €	9.803 €	12.872 €	13.437 €	14.308 €	15.190 €	18.057 €	1.535 €
800	9.996 €	10.965 €	13.849 €	14.473 €	15.432 €	16.403 €	19.539 €	1.646 €

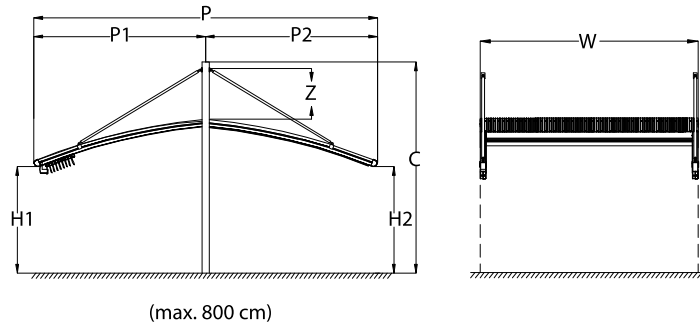
OPTIONAL	300	400	500	600	700	800	900	
	GUTTER	364 €	448 €	570 €	656 €	740 €	826 €	910 €
	ADDITIONAL AEROFIL LOUVRE (LINE)	94 €	117 €	188 €	188 €	211 €	233 €	256 €
EXTRA CHARGE FOR INOX HANGS 800	656 €		984 €			1.312 €		

DIMMER (REMOTE CONTROL)	1340 €
--------------------------------	--------

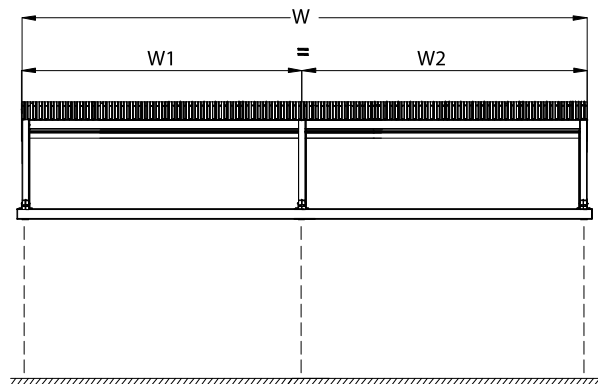
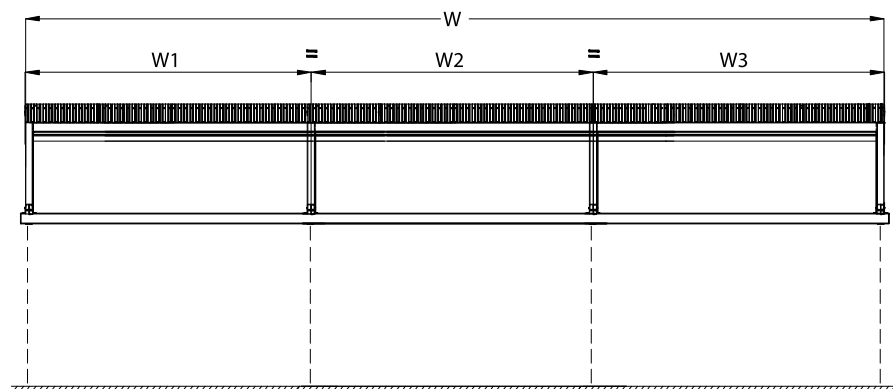
* Prices are based on ex-works.

* The standart production color is ON617 & OGN35.

* Extra charge for other colors shall be calculated as %6 based on system price without lighting + optional profiles .



(max. 800 cm)

One Module
135 cm > 400 cm

Two Modules
400 cm > 800 cm

Three Modules
800 cm > 900 cm

Order Name / No :

Order Date :

Company Name :

Quantity :

DIMENSIONS

W - Total Width cm
 P1 - Projection 1 cm
 P2 - Projection 2 cm
 C - Top Height cm
 Z - Hang Height cm
 H 1 - Front Height 1 cm
 H 2 - Front Height 2 cm

If modules are multiple and each module is in different width, please provide details (max. width for single modules is 400 cm, double modules 800 cm, triple modules 900 cm)

W1..... cm
 W2..... cm
 W3..... cm

POWDERCOAT COLORS

Standart Colors

Ral Colors

Exclusive Colors

- | | | |
|---|---|---|
| <input type="checkbox"/> Anthracite ON617 | <input type="checkbox"/> RAL 9005 | <input type="checkbox"/> Anthracite ON611 |
| <input type="checkbox"/> Anthracite OGN35 | <input type="checkbox"/> RAL 9016 | <input type="checkbox"/> RAL 8019 ST |
| | <input type="checkbox"/> RAL 1013 | <input type="checkbox"/> RAL 9010 ST |
| | <input type="checkbox"/> RAL 9006 | <input type="checkbox"/> RAL 1013 ST |
| | <input type="checkbox"/> RAL 7016 | <input type="checkbox"/> RAL 9006 ST |
| | <input type="checkbox"/> Other RAL..... | |

PVC BLACKOUT FABRIC

Basic

Exclusive

- | | | |
|--|---|-------------------------------------|
| <input type="checkbox"/> prg 121 / White | <input type="checkbox"/> prg 221 / White 3D | <input type="checkbox"/> Other..... |
| <input type="checkbox"/> prg 111 / Cream | <input type="checkbox"/> prg 211 / Cream 3D | |
| | <input type="checkbox"/> prg 241 / Grey 3D | |

OPTIONALS

- Lighting ON-OFF System (High Power LED)
- Lighting Dimmer System
- Aerofoil Louvre (Line).....pc
- Additional Railpc

Side Overhang Past Rafter (max. 100 cm per side) Type..... (I / II / III / IV / V / VI)
 Left Overhangcm. Right Overhangcm.

PACKAGING REQUIRMENTS

- Only Bubble Wrap (Standart Packing) Bubble Wrap & Hard Cardboard**

ADDITIONAL NOTES & DRAWINGS ATTACHED

*** Extra cost charge



* The price lists Venüstante has right to modify the price

www.haseldisticaret.com



Telefon: +90 212 438 11 58

Orureis Mah. Tekstil Kent Cad. 10-V Blok No: 214 (2.Kat) B14 Blok No:61 Tekstil Kent Ticaret Merkezi Esenler / İstanbul / Türkiye
info@haseldisticaret.com